



Water Level Sensor 3 (WLS 3) Manual



www.norsup.eu



1. Introduction

The Water Level Sensor 3 (WLS 3) is a precise level sensor developed for automatic water replenishment and cover protection in combination with the NorsupOneV3. The sensor is equipped with a piezoresistive element that converts water pressure into a measurable signal without any moving parts.

2. Application and Functions

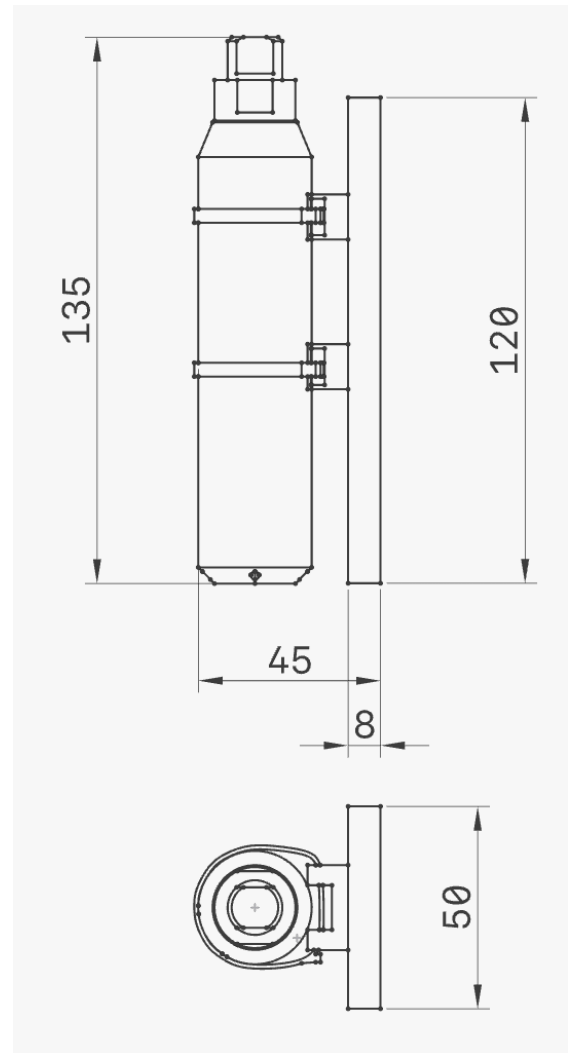
- Automatic pool water refilling
- Level monitoring for cover safety
- High-resolution signal processing
- Integrates with NorsupOneV3
- Protection against low or high water levels
- Automatic backwash (in combination with Autovalve)

Level status:

- Too high → cover blocked, replenishment off, + automatic backwash (in combination with Autovalve)
- High → cover active, replenishment off
- OK → reference level (zero line)
- Low → replenishment active
- Too low → cover blocked, replenishment active

3. Safety Instructions

- Installation and maintenance by qualified personnel only
- Always turn off the power before installation or inspection
- Handle the sensor with care and avoid damaging the cable
- Use original parts and follow this manual carefully
- Never leave the yellow wire (shield) floating or incorrectly connected
- Never insert anything through the sensor's protective cap. This will cause irreparable damage to the sensor.
- Never unscrew the protective cap without the permission of technically qualified personnel
- Always follow the instructions for the device with which the product is being integrated.



4. Installation

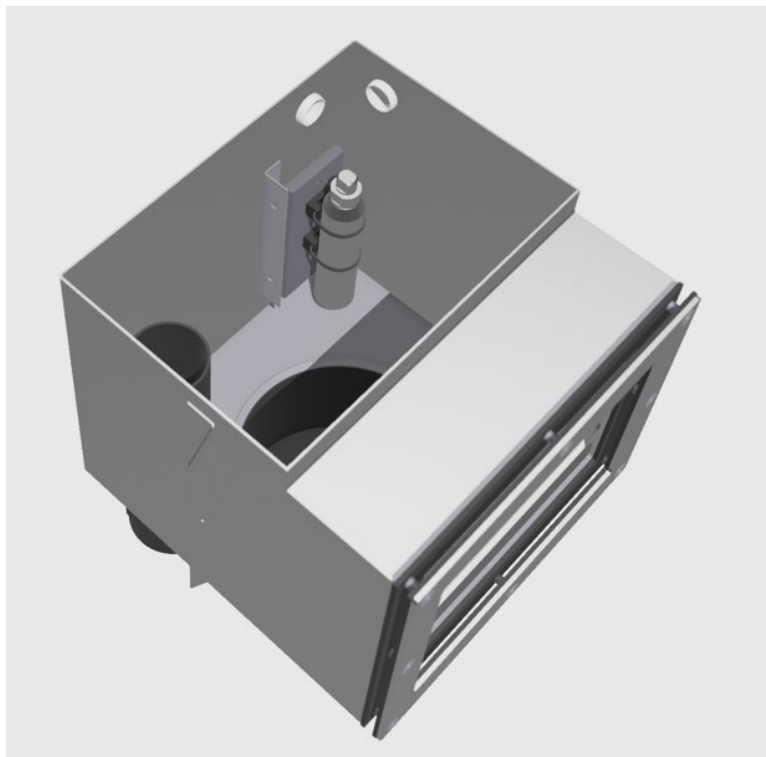
4.1 Venting

- Hold the sensor upside down under water to remove air
- Shake gently to allow air bubbles to escape

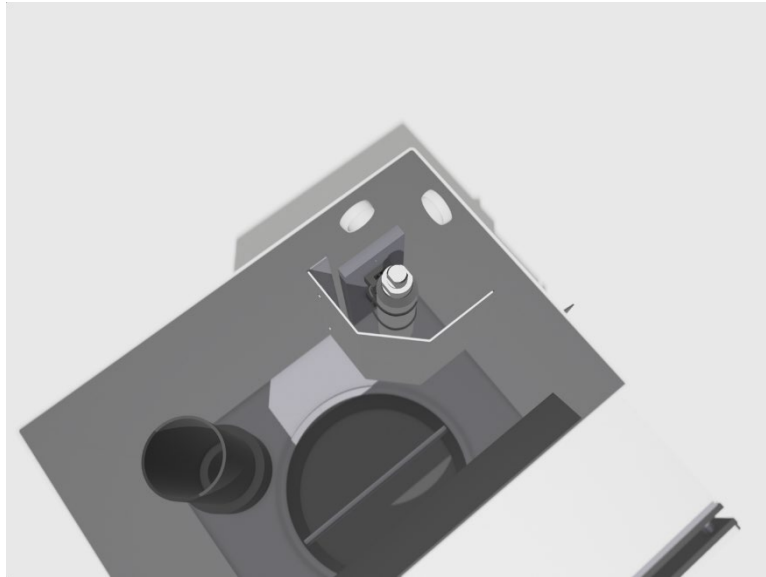


4.2 Stainless Steel Installation

The WLS 3 can be installed in the stainless steel skimmer behind the protective plate/damping plate using the PVC mounting plate



- Remove the baffle plate to access the mounting location. Mount the PVC plate there and secure the tie-wrap holders with the stainless steel screws



The height does not matter. The sensor can be calibrated at any desired water level and will maintain that as the zero line.

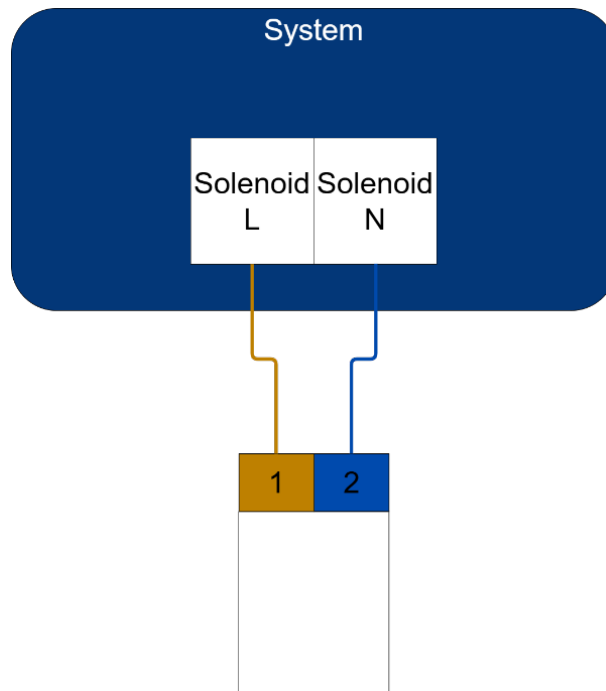
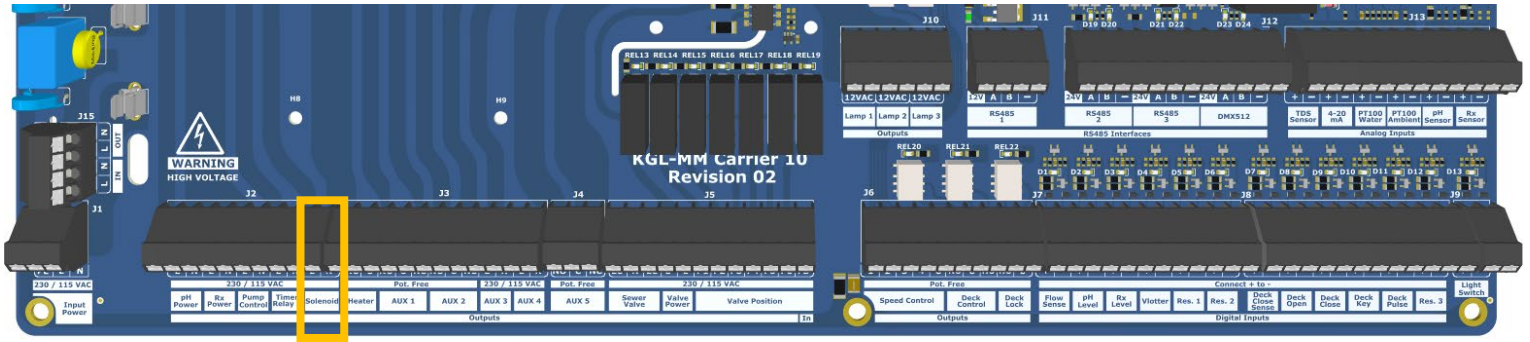
The sensor must be at least 3 cm underwater, measured from the bottom. (Does Joery's training mention 10 cm total?)

4.3 Cable Entry

- Route the cable through a protective conduit
- Avoid sharp bends or kinks
- The vent pipe in the cable must not be sealed or glued

5.3 Connecting the fill valve/solenoid

The fill valve/solenoid output switches **230VAC**.



6. Grounding and potential equalization

Read the full Research Report “Effective Pool Grounding” and ensure you fully understand this topic. If in doubt, consult a qualified electrician.

The WLS 3 must be properly grounded to prevent measurement errors, sensor malfunctions, and galvanic corrosion. The following strategy is based on practical experience, international standards (IEC/EN 61558 and IEC/EN 61000), and now also includes an explanation of the requirements from NEN 1010.

6.1 Standard Strategy – Separate Ground Rod

Use a separate grounding rod as the central grounding point.

Connect the following to it:

- Yellow shield wire from the WLS 3
- Stainless steel components such as steps, skimmer, pipes
- The housing/grounding of the NorsupOneV3

Optional: counter-current machines or heat pumps, provided they are approved by the manufacturer

Ensure a star configuration and a proper equipotential bonding bridge. Use a multimeter to verify that the voltage difference between metal parts is <10 mV, and the resistance is <0.5 ohms.

6.2 Alternative – NEN 1010 situation

If the use of a separate grounding rod is not permitted according to NEN 1010 (e.g., due to insurance requirements):

- Then connect all metal parts, the WLS 3, and the control system to the building ground
- Always avoid a mixed system (i.e., do not use a combination of an earth rod and the building's earth system)
- If a separate grounding rod is installed anyway, connect it electrically to the main grounding busbar in the home (in accordance with NEN 1010 Art. 542.1.2)
- Note: the benefits of galvanic isolation are partially lost in this case, but the system will then comply with standards.

6.3 Test Values

- Resistance between sensor and grounding point: < 1 ohm
- Resistance between metal components and potential bridge: < 0.5 ohms
- Voltage difference between metal parts: < 10 mV
- Ground rod: spread resistance < 30 ohms (preferably < 10 ohms)

6.4 Responsibility

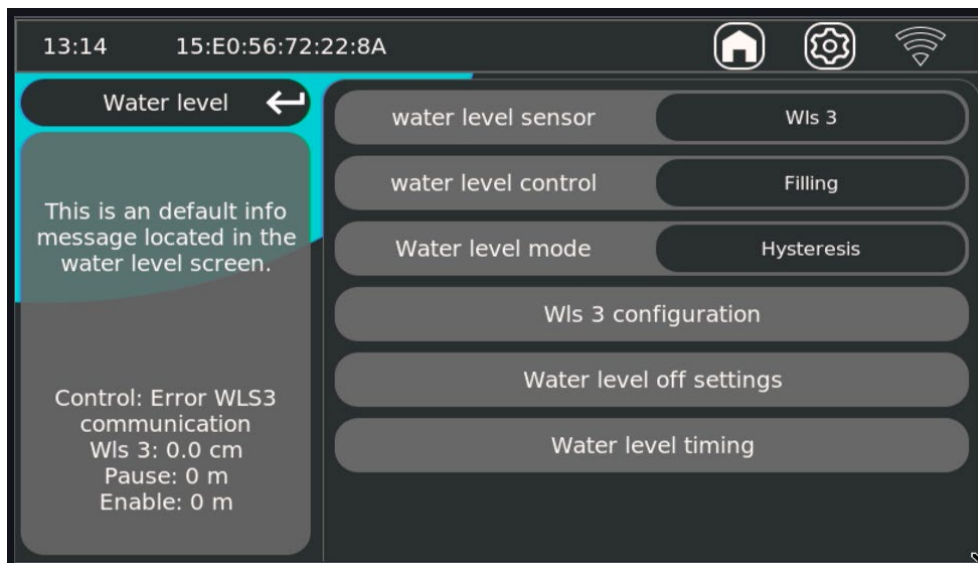
- Grounding and equipotential bonding are the responsibility of the installer.
- If in doubt: contact a certified electrician.
- Norsup provides this manual as a guide, but cannot accept liability for damage resulting from incorrect installation.

Tip: Always perform a continuity test and a ground fault current test (via RCD) after installation.

7. System Configuration

7.1 Calibration

In the **Water level** menu, you manage the complete control for automatic refilling/shut-off based on level measurement. This menu determines **which sensor is used, which control method is active, when the control is blocked**, and **the timing of the control switches**.



7.1.1 Safety and Responsibility (Water Level)

CAUTION – Water level is a functional control, not a primary overflow protection

The water level control helps manage the level automatically, but does not replace mandatory structural or hydraulic safety measures (such as overflow, drain protection, or backflow prevention).

CAUTION – Incorrect blocking settings can cause unwanted filling or, conversely, prevent filling

The options in **Water Level Off Settings** can intentionally disable the control. Incorrect combinations can lead to:

- filling stopping too early;
- no filling at all;
- filling at the wrong times.

NOTE – Sensor reliability is a prerequisite

In case of communication or measurement errors (as shown in status: *Error WLS3 communication*), the control system cannot function correctly. Check the cabling, sensor configuration, power supply, and sources of interference.

NOTE – Connections to flow/pump/deck directly affect behavior

When flow, pump status, or deck position blocks are enabled, water level control will only work if those conditions are met.

7.1.2 Water level (main page)

Water level sensor (level measurement)

Determines the sensor type of the system. This depends on the system configuration. For a standard float, select "Float," and if a Water Level Sensor 3 is installed, select "WLS 3."

- Float
- WLS 3 (**always select Modbus port 1 for WLS 3 configuration**)

Water level control

Determines what the control system controls, for example, filling or draining. (Filling & **draining** requires an auxiliary relay to enable the drain function.

- Filling
- Draining
- Filling and draining

NOTE: In draining mode, the solenoid contact **NOT** used for the drain function. This IS **the case** for dosing for pH+ only (the pH- contact will then activate when the pH is too low).

Water level mode

Determines the control method.

- Hysteresis ensures that control only stops when the setpoint is reached
- PID Auto controls the heating with a pause time (fixed time) and an on-time (controlled). The further the measured value is from the setpoint, the longer the on-time will be.
- Time maintains a fixed pause time and on-time as long as the setpoint has not been reached.

WLS 3 configuration

Opens sensor-specific settings for WLS3, currently only port selection. **(Always select port 1)**

Water level off settings

In this screen, you define when the water level control must **not** switch. These are safety and operational blocks.

Level blocks

- **Disable too high**
Blocks control at too high a level.
- **Disable off high**
Blocks control at the high "off" limit.
- **Disable off low**
Blocks control at the low "off" limit.
- **Disable too low**
Blocks control at too low a level.

Flow-related blocks

- **Disable with flow sensor**
Enables blocking logic based on the flow sensor.
- **Disable no flow sensor**
Blocks control when flow condition meets set logic.

Deck-related blockages

- **Disable on deck closed**
Blocks control when the deck is closed.
- **Disable on deck open**
Blocks control when the deck is open.

Pump/pressure-related blocks

- **Disable on pump control**
Disables control based on pump control/status.

Practical:

Use only blocks that are functionally necessary in your hydraulic setup. Too many active blocks at once often results in "why isn't it filling?" behavior.

Water level timing

- Opens timing settings (turn-on delay, turn-off delay, and PID time windows, if applicable).
- **Enable time (only in TIME mode)**
Time that the control is allowed to be active per cycle (e.g., 300 s).
- **Disable time (only in TIME mode)**
Wait time/pause between two switch-on moments (e.g., 0 m).
- **PID min time (only in PID Auto mode)**
Minimum time limit for PID-controlled operation (if PID mode is used).
- **PID max time (only in PID Auto mode)**
Maximum time limit for PID-controlled operation (if PID mode is used).

Important:

If Water level mode is set to **Hysteresis**, PID times usually do not determine the control. Use PID min/max only when the selected control mode actually utilizes those values.

8. Interference Prevention and Grounding Tests

- Always perform potential equalization tests
- Measure leakage currents via RCD (< 30 mA)
- Check grounding continuity
- Do not install components with different grounding structures in the same system

9. Technical specifications

- Sensor: piezoresistive pressure sensor
- Power supply: 24 VDC
- Accuracy: < 1 mm
- Cable lengths: 30 / 50 / 100 m
- Protection: IP68
- Temperature range: 0 – 50 °C

10. Warranty Terms

These warranty terms do not affect the consumer's statutory rights under applicable national consumer sales law, based on Directive (EU) 2019/771. The consumer is entitled to a product that complies with the contract ("conformity"). If the product is not in conformity, the consumer is entitled to repair or replacement free of charge, and—if that is not possible—to a price reduction or termination of the contract, in accordance with the statutory provisions.

This commercial warranty offers additional rights and conditions, as described below.

10.1 Warranty Period (Commercial Warranty)

- Standard warranty: 3 years from the date of delivery
- These terms do not affect the statutory warranty period.

10.2 Conditions for invoking the commercial warranty

The commercial warranty applies exclusively if:

1. The product was purchased from an authorized dealer;
2. A valid and legible proof of purchase is provided (including date, model, and seller);
3. The product has been installed in accordance with the instructions, preferably by an authorized installer;
4. The product has been used correctly in accordance with the manual and its intended use;
5. Periodic maintenance has been demonstrably performed;
6. The serial number and type plate are intact and legible;
7. Repairs have been performed exclusively by NORSUP or an authorized service partner.

10.3 Scope of the commercial warranty

If a defect is covered by this warranty, NORSUP will, at its discretion:

- repair the product or part free of charge, or
- replace the product or part with an equivalent item.

The warranty does not include any right to a refund, replacement equipment, or any form of compensation, except where required by law.

10.4 Exclusions from the commercial warranty

The commercial warranty does not apply in the following cases:

Normal wear and tear and consumable parts

- Seals, O-rings, and gaskets
- Electrodes and parts with a limited service life
- Parts subject to normal wear and tear

Improper use or maintenance

- Use contrary to the manual
- Inadequate or overdue maintenance
- Improper water quality (e.g., pH, salinity, hardness outside specifications)
- Scale buildup, corrosion, or contamination

Installation and external factors

- Improper installation or connection
- Damage caused by frost, heat, moisture, or insufficient ventilation
- Electrical influences (power surges, lightning, faulty connection)
- Chemical damage caused by external substances

Modifications and non-genuine parts

- Use of non-original parts
- Modifications to the product
- Repairs by unauthorized third parties

Other exclusions

- Cosmetic damage that does not affect functionality
- Damage caused during transport or storage after delivery
- Software issues caused by external systems or incorrect configuration (without prejudice to rights under Directive (EU) 2019/770)

10.5 Costs and Additional Provisions

Unless otherwise required by mandatory law:

- Labor costs, call-out fees, transportation costs, and disassembly/assembly costs are covered by the warranty (provided the conditions are met);
- The warranty applies exclusively to private use; a shorter term may apply in the case of professional use;
- The warranty is not transferable without written consent.

10.6 Limitation of Liability

To the extent permitted by law, NORSUP's liability is limited to the obligations described in this warranty. NORSUP is not liable for:

- indirect or consequential damages;
- loss of revenue, profit, or use;
- damages resulting from product downtime;
- damage to other systems or property.

This limitation does not apply in cases of intent, gross negligence, or where liability cannot be excluded by law.

10.7 Procedure for Warranty Claims

To file a claim, the consumer must:

1. Contact the seller or authorized installer;
2. Provide proof of purchase;
3. Provide a clear description of the defect;
4. Make the product available for inspection upon request.

Final provision

If any provision of this warranty proves to be invalid or unenforceable, the remaining provisions shall remain in full force and effect. This warranty is governed by the laws of the country of purchase, subject to mandatory European consumer law.

Water Level Sensor 3 (WLS 3)

Handleiding



www.norsup.eu



1. Inleiding

De Water Level Sensor 3 (WLS 3) is een nauwkeurige niveausensor ontwikkeld voor automatische watersuppletie en afdekkingsbeveiliging in combinatie met de NorsupOneV3. De sensor is uitgerust met een piëzo-resistief element dat de waterdruk omzet in een meetbaar signaal zonder bewegende delen.

2. Toepassing en functies

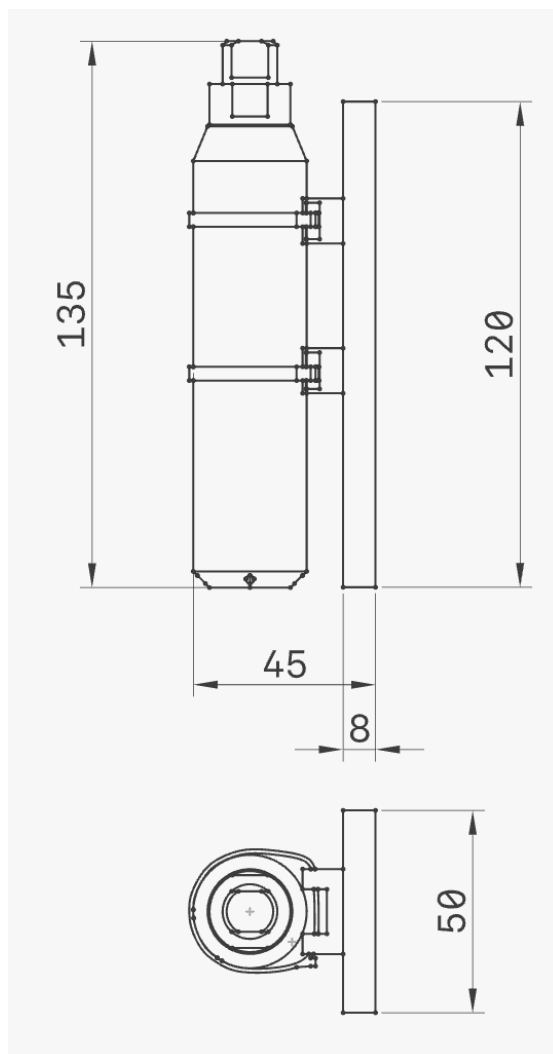
- Automatisch bijvullen van zwembadwater
- Niveaubewaking voor afdekkingsveiligheid
- Signaalverwerking met hoge resolutie
- Te integreren met NorsupOneV3
- Bescherming tegen te laag of te hoog waterniveau
- Automatische backwash (i.c.m. Autovalve)

Niveaustatus:

- Te hoog → afdekking geblokkeerd, suppletie uit, + automatische backwash (i.c.m. Autovalve)
- Hoog → afdekking actief, suppletie uit
- OK → referentiehoogte (nullijn)
- Laag → suppletie actief
- Te laag → afdekking geblokkeerd, suppletie actief

3. Veiligheidsinstructies

- Installatie en onderhoud alleen door gekwalificeerd personeel
- Schakel altijd de stroom uit voor installatie of inspectie
- Behandel de sensor voorzichtig en vermijd schade aan de kabel
- Gebruik originele onderdelen en volg deze handleiding nauwkeurig
- Laat de gele draad (shield) nooit zwevend of verkeerd aangesloten
- Steek nooit iets door de beschermkap van de sensor. Dit zal de sensor onherstelbaar beschadigen.
- Draai de beschermkap nooit los zonder toestemming van technisch gekwalificeerd personeel
- Volg altijd de instructies van het apparaat waarmee het artikel wordt geïntegreerd.



4. Installatie

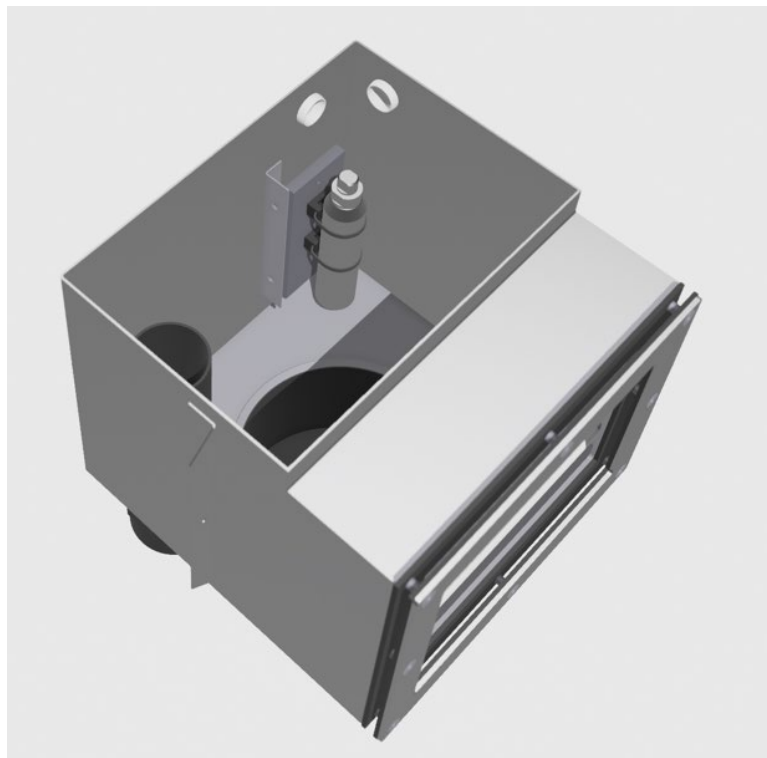
4.1 Ontluchten

- Houd de sensor ondersteboven onder water om lucht te verwijderen
- Schud lichtjes om luchtbellen te laten ontsnappen

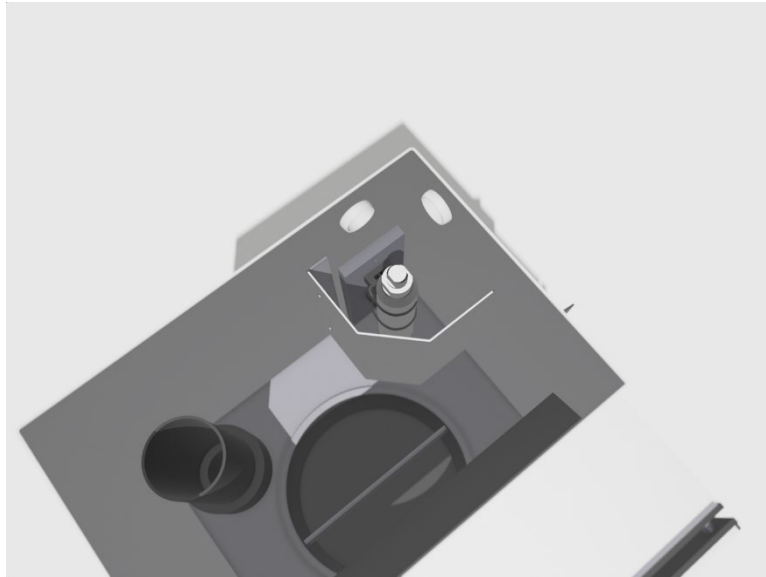


4.2 Montage RVS

De WLS 3 kan in de RVS skimmer geplaatst worden achter de beschermplaat/dempingsplaat D.M.V. de PVC montage plaat



- Demonteer de demperplaat om toegang tot de montageplaats te verschaffen. Monteer daar de PVC plaat en schroef de tie-wrap houders vast met de RVS schroeven



De hoogte maakt niet uit. De sensor kan op iedere gewenste waterhoogte gekalibreerd worden en zal die aanhouden als nullijn.

De sensor moet minimaal 3 cm onder water staan vanaf de onderzijde gemeten. (in onze training van Joery staat 10cm totaal?)

4.3 Kabelinvoer

- Leid de kabel door een beschermde doorvoermantel
- Voorkom scherpe bochten of knikken
- Ontluchtingspijp in de kabel mag niet worden afgesloten of verlijmd

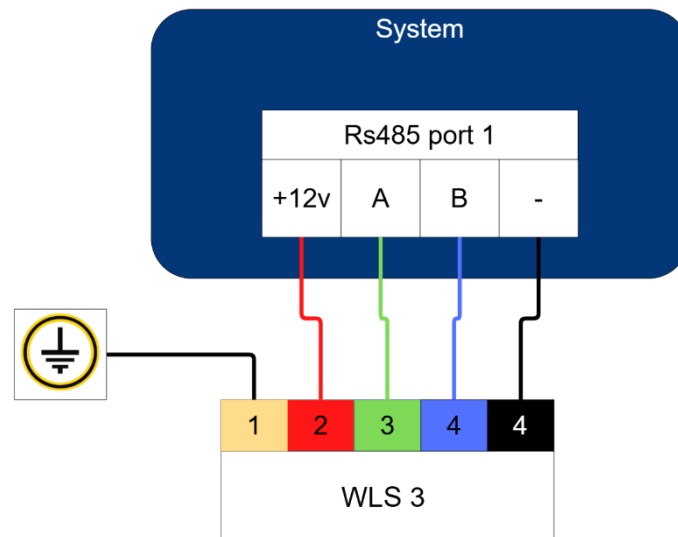
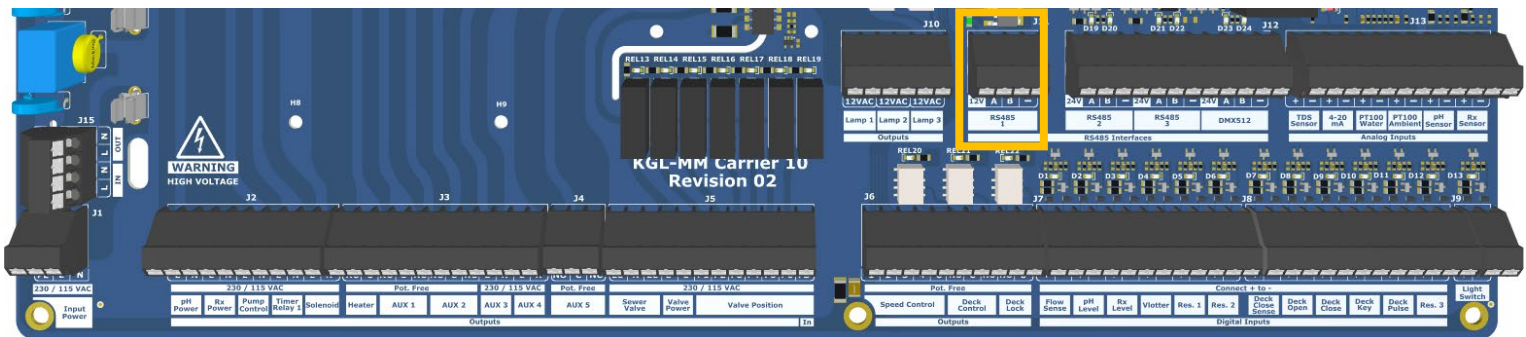
5. Elektrische aansluiting

5.1 Kleurcodering

- Groen/Blauw = Signaal
- Zwart = GND
- Rood = 24 VDC
- Geel = Shield (zie hoofdstuk 6)

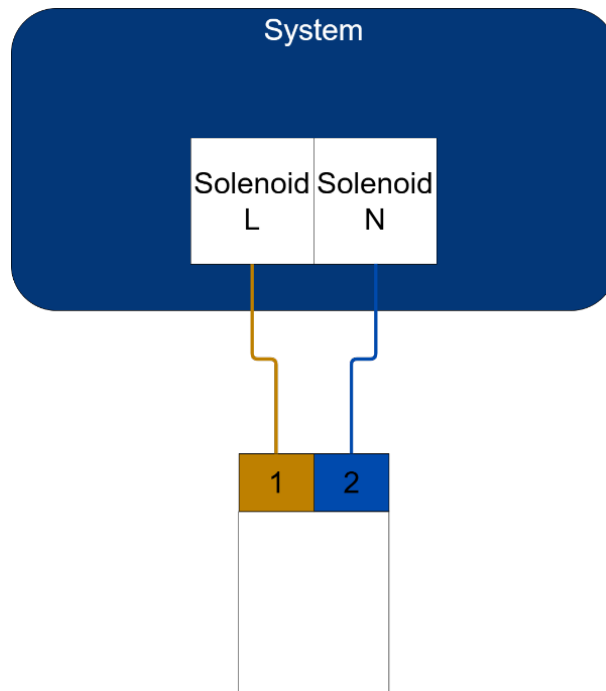
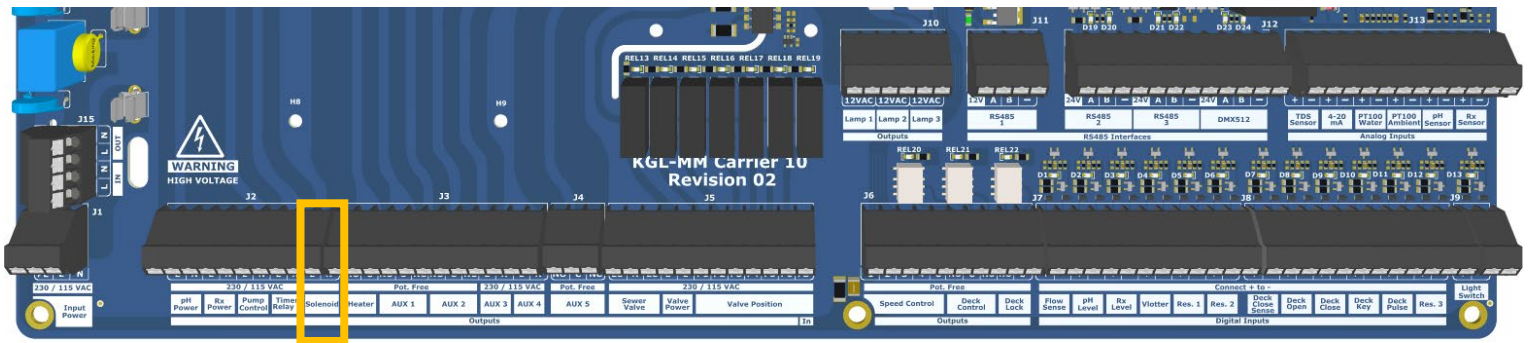
5.2 Aansluiten WLS 3

- NorsupOneV3 spanningsloos maken
- Kabel altijd aansluiten op Rs485 port 1
 - **LET OP!:**
 - **WL-A aansluiten op B**
 - **WL-B aansluiten op A**



5.3 Aansluiten vulklep/solenoid

De vulklep/solenoid uitgang schakelt **230VAC**.



6. Aarding en potentiaalvereffening

Lees het volledige Onderzoeksrapport "Effectieve zwembadaarde" en zorg voor een volledig begrip van dit onderwerp. Bij twijfel, raadpleeg een gekwalificeerd elektricien.

De WLS 3 moet correct geaard worden om meetfouten, sensorstoringen en galvanische corrosie te voorkomen. De volgende strategie is gebaseerd op praktijkervaring, internationale normen (IEC/EN 61558 en IEC/EN 61000) en bevat nu ook een toelichting op de eisen vanuit NEN 1010.

6.1 Standaardstrategie – Aparte aardpen

Gebruik een apart geslagen aardpen als centraal aardpunt.

Verbind hierop:

- Gele afschermdraad (shield) van de WLS 3
- RVS-componenten zoals trap, skimmer, leidingen
- De behuizing/aarding van de NorsupOneV3

Eventueel: tegenstroommachines of warmtepompen, mits toegestaan door de fabrikant

Zorg voor een sterconfiguratie en een goede potentiaalvereffeningsbrug. Controleer met een multimeter dat het spanningsverschil tussen metalen delen <10 mV is, en de weerstand <0,5 ohm.

6.2 Alternatief – NEN 1010 situatie

Indien gebruik van een aparte aardpen niet toegestaan is volgens NEN 1010 (bijv. vanwege verzekeringseisen):

- Verbind dan alle metalen delen, de WLS 3 en het regelsysteem met de huisaarde
- Vermijd altijd een gemengd systeem (dus geen deels aardpen en deels huisaarde)
- Indien een aparte aardpen toch geplaatst is, verbind deze elektrisch met de hoofd-aardrail in de woning (conform NEN 1010 art. 542.1.2)
- Let op: de voordelen van galvanische isolatie komen hierbij deels te vervallen, maar het systeem is dan wél normconform.

6.3 Controlewaarden

- Weerstand tussen sensor en aardpunt: < 1 ohm
- Weerstand tussen metalen componenten en potentiaalbrug: < 0,5 ohm
- Spanningsverschil tussen metalen onderdelen: < 10 mV
- Aardpen: spreidingsweerstand < 30 ohm (bij voorkeur < 10 ohm)

6.4 Verantwoordelijkheid

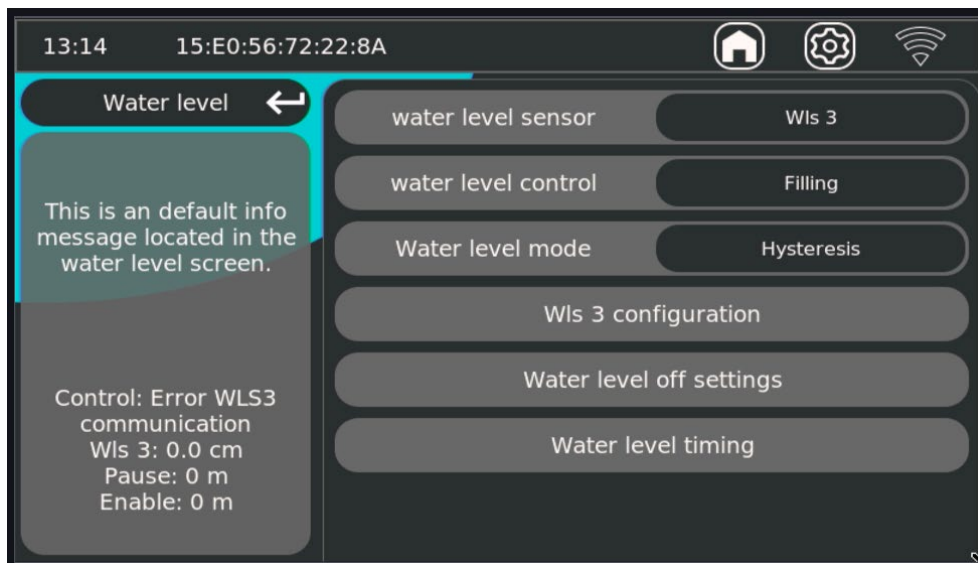
- Aarding en potentiaalvereffening vallen onder de verantwoordelijkheid van de installateur.
- Bij twijfel: neem contact op met een gecertificeerd elektricien.
- Norsup stelt deze handleiding op als leidraad, maar kan geen aansprakelijkheid aanvaarden voor schade door foutieve installatie.

Tip: Voer altijd een continuïteitsmeting en een lekstroomtest (via RCD) uit na installatie.

7. Systeemconfiguratie

7.1 Kalibratie

In het menu **Water level** beheer je de complete regeling voor automatische bijvulling/afslag op basis van niveaumeting. Dit menu bepaalt **welke sensor gebruikt wordt, welke regelmethode actief is, wanneer de regeling wordt geblokkeerd en met welke timing de regeling schakelt**.



7.1.1 Veiligheid en verantwoordelijkheid (Waterniveau)

LET OP – Waterniveau is een functionele regeling, geen primaire overloopbeveiliging

De waterniveau-regeling helpt het niveau automatisch te beheren, maar vervangt geen verplichte bouwkundige of hydraulische beveiligingen (zoals overloop, afvoerbeveiliging, terugslagvoorziening).

LET OP – Onjuiste blokkade-instellingen kunnen ongewenst vullen of juist geen vulling veroorzaken

De opties in **Water level off settings** kunnen de regeling bewust uitschakelen. Verkeerde combinaties kunnen leiden tot:

- te vroeg stoppen met vullen;
- helemaal niet vullen;
- vullen op onjuiste momenten.

LET OP – Sensorbetrouwbaarheid is randvoorwaarde

Bij communicatie- of meetfouten (zoals zichtbaar in status: *Error WLS3 communication*) kan de regeling niet correct functioneren. Controleer bekabeling, sensorconfiguratie, voeding en storingsbronnen.

LET OP – Koppelingen met flow/pomp/dek beïnvloeden gedrag direct

Wanneer blokkades op flow, pompstatus of dekpositie zijn ingeschakeld, zal waterniveau-regeling alleen werken als aan die voorwaarden voldaan is.

7.1.2 Water level (hoofdpagina)

Water level sensor (niveau meting)

Bepaalt de sensortype van het systeem. Dit is afhankelijk van de configuratie van het systeem. Bij een normale vlotter kiest u vlotter en wanneer er een Water Level Sensor 3 is geplaatst kiest u WLS 3.

- Vlotter
- WLS 3 (**kies altijd modbus poort 1 bij WLS 3 configuratie**)

Water level control

Bepaalt wat de regeling aanstuurt, bijvoorbeeld filling (vullen) of drain (leggen). (filling & **draining** heeft een hulprelais nodig om de drain-functie te bewerkstelligen).

- Filling
- Draining
- Filling and draining

LET OP: Bij draining-mode wordt het solenoid-contact **NIET** overgenomen voor de drain functie. Dit is **WÉL** zo bij dosering voor alleen pH+ (het pH- contact zal dan aangaan wanneer de pH te laag is).

Water level mode

Bepaalt de regelmethode.

- Hysteresis zorgt ervoor dat de regeling pas stopt wanneer de gewenste waarde is bereikt
- PID Auto regelt de verwarming met een pauzetijd (vaste tijd) en een inschakelduur (geregeld). Hoe verder de gemeten waarde van de gewenste waarde zit hoe langer de inschakelduur zal worden.
- Time houdt een vaste pauzetijd en inschakeltijd aan zolang de gewenste waarde niet is bereikt.

WLS 3 configuration

Opent sensor-specifieke instellingen voor WLS3, momenteel alleen poort selectie. **(Kies altijd poort 1)**

Water level off settings

In dit scherm definieer je wanneer de waterniveau-regeling **niet** mag schakelen. Dit zijn veiligheids- en bedrijfsblokkades.

Niveaublokkades

- **Disable too high**
Blokkeert regeling bij te hoog niveau.
- **Disable off high**
Blokkeert regeling op de hoge "off"-grens.
- **Disable off low**
Blokkeert regeling op de lage "off"-grens.
- **Disable too low**
Blokkeert regeling bij te laag niveau.

Flow-gerelateerde blokkades

- **Disable with flow sensor**
Schakelt blokkadelogica op basis van flowsensor in.
- **Disable no flow sensor**
Blokkeert regeling bij flowvoorwaarde volgens ingestelde logica.

Dek-gerelateerde blokkades

- **Disable on deck closed**
Blokkeert regeling wanneer het dek gesloten is.
- **Disable on deck open**
Blokkeert regeling wanneer het dek open is.

Pomp/druk-gerelateerde blokkades

- **Disable on pump control**
Blokkeert regeling op basis van pomp-aansturing/status.

Praktisch:

Gebruik alleen blokkades die functioneel nodig zijn in jouw hydraulische opzet. Te veel actieve blokkades tegelijk geeft vaak "waarom vult hij niet?"-gedrag.

Water level timing

- Opent timinginstellingen (inschakelvertraging, uitschakelvertraging en PID-tijdvensters indien van toepassing).
- **Enable time (alleen bij mode TIME)**
Tijd dat de regeling actief mag inschakelen per cyclus (bijv. 300 s).
- **Disable time (alleen bij mode TIME)**
Wachttijd/pauze tussen twee inschakelmomenten (bijv. 0 m).
- **PID min time (alleen bij mode PID Auto)**
Minimale tijdsgrens voor PID-gestuurde aansturing (indien PID-modus gebruikt wordt).
- **PID max time (alleen bij mode PID Auto)**
Maximale tijdsgrens voor PID-gestuurde aansturing (indien PID-modus gebruikt wordt).

Belangrijk:

Als Water level mode op **Hysteresis** staat, zijn PID-tijden meestal niet leidend voor de regeling.
Gebruik PID min/max alleen wanneer de gekozen regelmodus die waarden ook daadwerkelijk benut.

8. Storingspreventie en aardingstesten

- Voer altijd potentiaalvereffeningstesten uit
- Meet lekstromen via RCD (< 30 mA)
- Controleer continuïteit van aarding
- Plaats geen componenten met verschillende aardingsstructuren in hetzelfde systeem

9. Technische specificaties

- Sensor: piëzo-resistieve druksensor
- Voeding: 24 VDC
- Nauwkeurigheid: < 1 mm
- Kabellengtes: 30 / 50 / 100 m
- Bescherming: IP68
- Temperatuurbereik: 0 – 50 °C

10. Garantievoorwaarden

Deze garantievoorwaarden doen geen afbreuk aan de wettelijke rechten van de consument op grond van toepasselijk nationaal recht inzake consumentenkoop, gebaseerd op Richtlijn (EU) 2019/771.

De consument heeft recht op een product dat voldoet aan de overeenkomst ("conformiteit"). Indien het product niet conform is, heeft de consument recht op kosteloos herstel of vervanging, en – indien dat niet mogelijk is – op prijsvermindering of ontbinding van de overeenkomst, overeenkomstig de wettelijke bepalingen.

Deze commerciële garantie biedt aanvullende rechten en voorwaarden, zoals hieronder beschreven.

10.1 Garantietermijn (commerciële garantie)

- Standaardgarantie: 3 jaar vanaf de datum van levering
- Deze termijnen laten de wettelijke conformiteitstermijn onverlet.

10.2 Voorwaarden voor het inroepen van de commerciële garantie

De commerciële garantie is uitsluitend van toepassing indien:

8. Het product is aangeschaft via een erkende dealer;
9. Een geldig en leesbaar aankoopbewijs wordt overlegd (met datum, model en verkoper);
10. Het product is geïnstalleerd conform de instructies, bij voorkeur door een erkende installateur;
11. Het product correct is gebruikt overeenkomstig de handleiding en het beoogde gebruik;
12. Periodiek onderhoud aantoonbaar is uitgevoerd;
13. Het serienummer en typeplaatje intact en leesbaar zijn;
14. Reparaties uitsluitend zijn uitgevoerd door NORSUP of een erkende servicepartner.

10.3 Omvang van de commerciële garantie

Indien een gebrek onder deze garantie valt, zal NORSUP naar eigen keuze:

- het product of onderdeel kosteloos repareren, of
- het product of onderdeel vervangen door een gelijkwaardig exemplaar.

De garantie omvat geen recht op terugbetaling, vervangende apparatuur, of enige vorm van schadevergoeding, behoudens waar wettelijk verplicht.

10.4 Uitsluitingen van de commerciële garantie

De commerciële garantie is niet van toepassing in de volgende gevallen:

Normale slijtage en verbruiksdelen

- Afdichtingen, O-ringen en pakkingen
- Elektroden en onderdelen met beperkte levensduur
- Onderdelen onderhevig aan normale slijtage

Onjuist gebruik of onderhoud

- Gebruik in strijd met de handleiding
- Gebrekkig of achterstallig onderhoud
- Onjuiste waterkwaliteit (bijv. pH, zoutgehalte, hardheid buiten specificaties)
- Kalkafzetting, corrosie of vervuiling

Installatie en externe factoren

- Onjuiste installatie of aansluiting
- Schade door vorst, hitte, vocht of onvoldoende ventilatie
- Elektrische invloeden (overspanning, bliksem, foutieve aansluiting)
- Chemische schade door externe stoffen

Wijzigingen en niet-originele onderdelen

- Gebruik van niet-originele onderdelen
- Aanpassingen aan het product
- Reparaties door niet-erkende derden

Overige uitsluitingen

- Esthetische schade die de werking niet beïnvloedt
- Transport- of opslagschade na levering
- Softwareproblemen veroorzaakt door externe systemen of onjuiste configuratie (onverminderd rechten onder Richtlijn (EU) 2019/770)

10.5 Kosten en aanvullende bepalingen

Tenzij dwingend recht anders bepaalt:

- Arbeidskosten, voorrijkosten, transportkosten en demontage-/montagekosten vallen onder de garantie (indien aan de voorwaarden wordt voldaan);
- Garantie geldt uitsluitend voor particulier gebruik; bij professioneel gebruik kan een kortere termijn gelden;
- De garantie is niet overdraagbaar zonder schriftelijke toestemming.

10.6 Aansprakelijkheidsbeperking

Voor zover wettelijk toegestaan is de aansprakelijkheid van NORSUP beperkt tot de verplichtingen zoals beschreven in deze garantie. NORSUP is niet aansprakelijk voor:

- indirecte of gevolgschade;
- verlies van inkomsten, winst of gebruik;
- schade als gevolg van stilstand van het product;
- schade aan andere systemen of eigendommen.

Deze beperking geldt niet in geval van opzet, grove nalatigheid, of wanneer aansprakelijkheid niet wettelijk kan worden uitgesloten.

10.7 Procedure bij garantieclaims

Voor het indienen van een claim dient de consument:

5. Contact op te nemen met de verkoper of erkende installateur;
6. Het aankoopbewijs te overleggen;
7. Een duidelijke omschrijving van het defect te verstrekken;
8. Op verzoek het product ter inspectie beschikbaar te stellen.

Slotbepaling

Indien enige bepaling van deze garantie ongeldig of onafdwingbaar blijkt, blijven de overige bepalingen volledig van kracht. Op deze garantie is het recht van het land van aankoop van toepassing, met inachtneming van dwingend Europees consumentenrecht.

Wasserstandssensor 3 (WLS 3)

Bedienungsanleitung



www.norsup.eu



1. Einleitung

Der Wasserstandssensor 3 (WLS 3) ist ein präziser Füllstandssensor, der für die automatische Wassernachfüllung und die Abdeckungssicherung in Kombination mit dem NorsupOneV3 entwickelt wurde. Der Sensor ist mit einem piezoresistiven Element ausgestattet, das den Wasserdruck ohne bewegliche Teile in ein messbares Signal umwandelt.

2. Anwendung und Funktionen

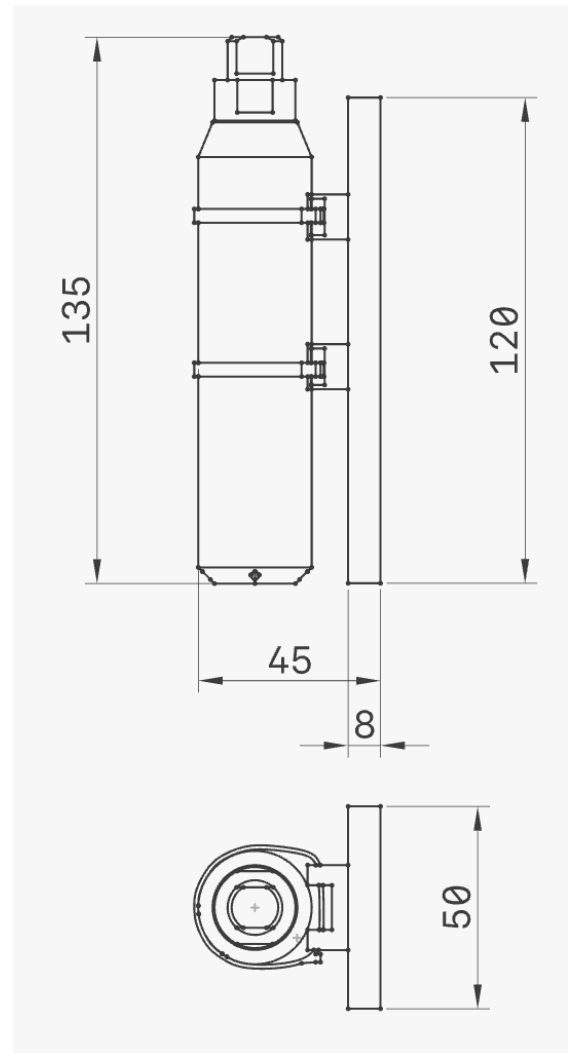
- Automatische Nachfüllung von Schwimmbadwasser
- Füllstandsüberwachung für die Abdeckungssicherheit
- Signalverarbeitung mit hoher Auflösung
- Integrierbar mit NorsupOneV3
- Schutz vor zu niedrigem oder zu hohem Wasserstand
- Automatische Rückspülung (in Verbindung mit Autovalve)

Füllstandstatus:

- Zu hoch → Abdeckung blockiert, Nachspeisung aus, + automatische Rückspülung (in Verbindung mit Autovalve)
- Hoch → Abdeckung aktiv, Nachspeisung aus
- OK → Referenzhöhe (Nulllinie)
- Niedrig → Nachspeisung aktiv
- Zu niedrig → Abdeckung blockiert, Nachspeisung aktiv

3. Sicherheitshinweise

- Installation und Wartung nur durch qualifiziertes Personal
- Schalten Sie vor der Installation oder Inspektion immer den Strom ab
- Behandeln Sie den Sensor vorsichtig und vermeiden Sie Beschädigungen am Kabel
- Verwenden Sie Originalteile und befolgen Sie diese Anleitung genau
- Lassen Sie den gelben Draht (Abschirmung) niemals frei liegen oder falsch anschließen
- Stecken Sie niemals etwas durch die Schutzkappe des Sensors. Dies führt zu einer irreparablen Beschädigung des Sensors.
- Lösen Sie die Schutzkappe niemals ohne die Zustimmung von technisch qualifiziertem Personal
- Befolgen Sie stets die Anweisungen des Geräts, in das der Artikel integriert wird.



4. Installation

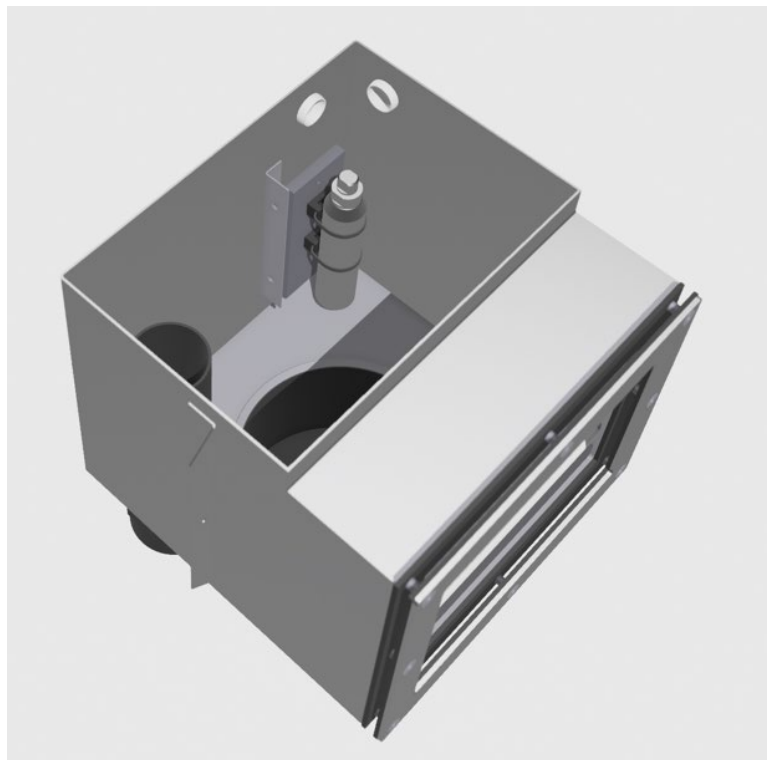
4.1 Entlüften

- Halten Sie den Sensor kopfüber unter Wasser, um Luft zu entfernen
- Schütteln Sie das Gerät leicht, damit Luftblasen entweichen können

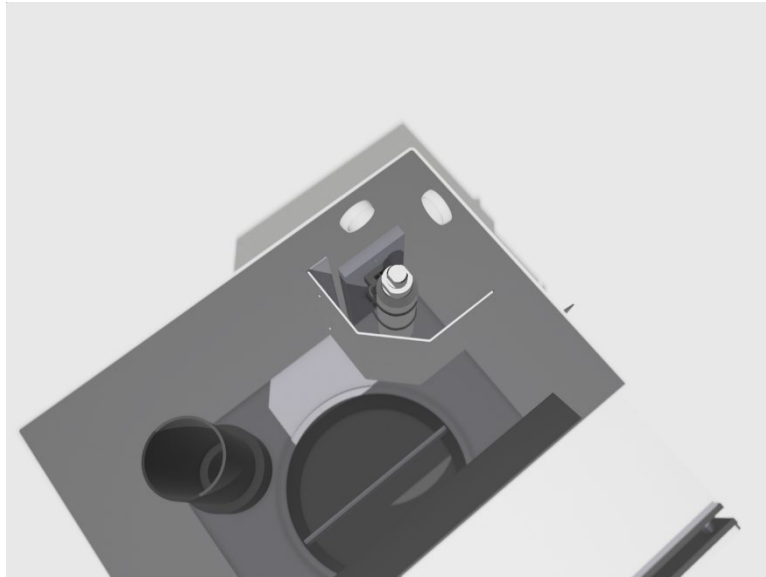


4.2 Montage in Edelstahl

Der WLS 3 kann mithilfe der PVC-Montageplatte im Edelstahl-Skimmer hinter der Schutz-/Dämpfungsplatte angebracht werden



- Demontieren Sie die Dämpfungsplatte, um Zugang zum Montageort zu erhalten. Montieren Sie dort die PVC-Platte und schrauben Sie die Kabelbinderhalterungen mit den Edelstahlschrauben fest



Die Höhe spielt keine Rolle. Der Sensor kann auf jede gewünschte Wasserstandshöhe kalibriert werden und behält diese als Nullpunkt bei.

Der Sensor muss mindestens 3 cm unter Wasser stehen, gemessen von der Unterseite. (In unserer Schulung von Joery steht insgesamt 10 cm?)

4.3 Kabeleinführung

- Führen Sie das Kabel durch eine geschützte Durchführungshülse
- Vermeiden Sie scharfe Biegungen oder Knicke
- Das Entlüftungsrohr im Kabel darf nicht verschlossen oder verklebt werden

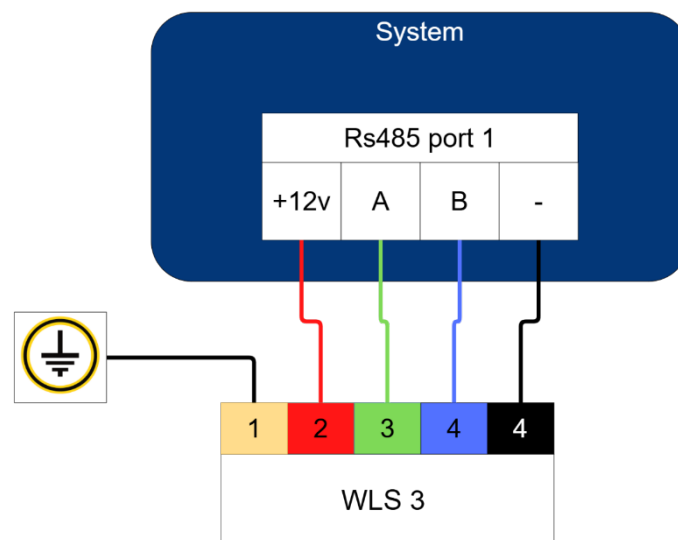
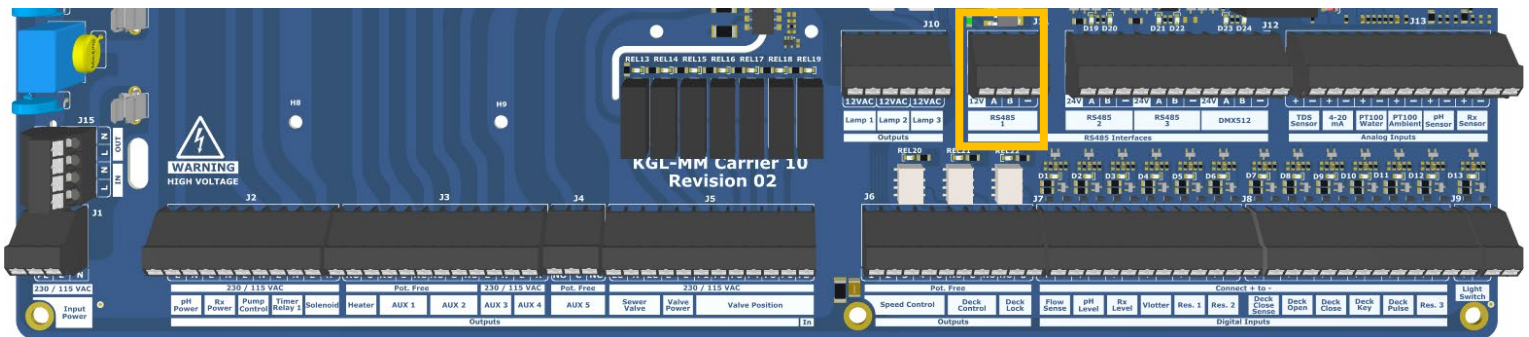
5. Elektrischer Anschluss

5.1 Farbcodierung

- Grün/Blau = Signal
- Schwarz = GND
- Rot = 24 VDC
- Gelb = Abschirmung (siehe Kapitel 6)

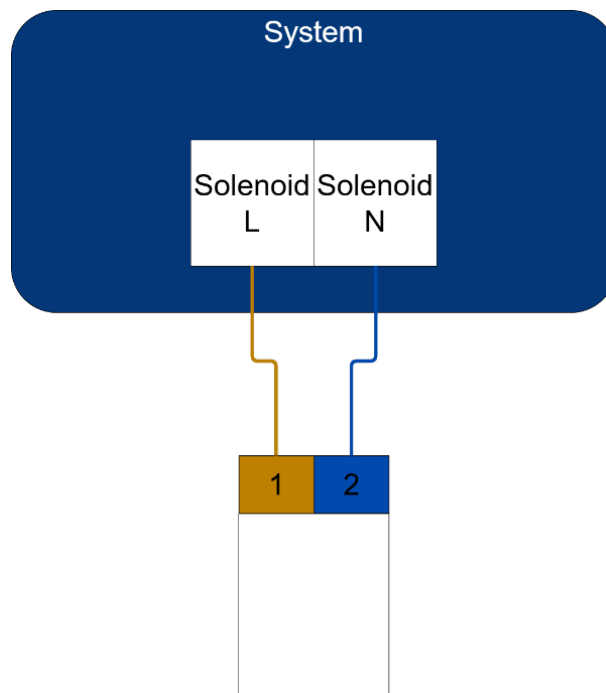
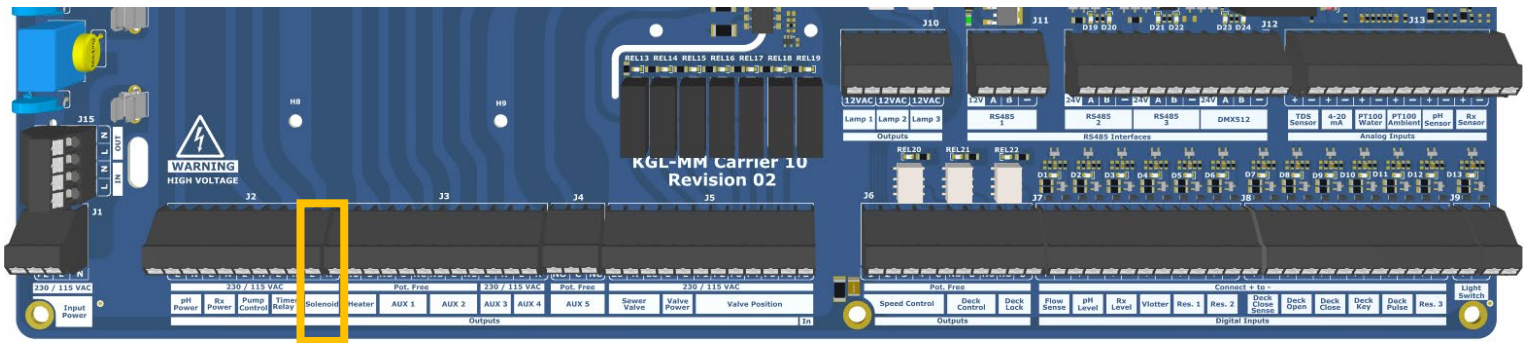
5.2 Anschluss des WLS 3

- NorsupOneV3 spannungsfrei schalten
- Kabel immer an den RS485-Port 1 anschließen
- **ACHTUNG!:**
 - **WL-A an B anschließen**
 - **WL-B an A anschließen**



5.3 Anschluss Füllventil/Magnetventil

Der Füllventil-/Magnetventilausgang schaltet **230 VAC**.



6. Erdung und Potentialausgleich

Lesen Sie den vollständigen Forschungsbericht „Effektive Schwimmbaderdung“ und verschaffen Sie sich ein umfassendes Verständnis dieses Themas. Im Zweifelsfall wenden Sie sich an einen qualifizierten Elektriker.

Der WLS 3 muss ordnungsgemäß geerdet werden, um Messfehler, Sensorstörungen und galvanische Korrosion zu vermeiden. Die folgende Strategie basiert auf praktischen Erfahrungen, internationalen Normen (IEC/EN 61558 und IEC/EN 61000) und enthält nun auch eine Erläuterung der Anforderungen aus NEN 1010.

6.1 Standardstrategie – Separater Erdungsstab

Verwenden Sie einen separat gerammten Erdungsstab als zentralen Erdungspunkt.

Schließen Sie daran an:

- Gelben Abschirmungsdraht (Shield) des WLS 3
- Edelstahlkomponenten wie Treppe, Skimmer, Leitungen
- Das Gehäuse/die Erdung des NorsupOneV3

Gegebenenfalls: Gegenstromanlagen oder Wärmepumpen, sofern vom Hersteller zugelassen

Sorgen Sie für eine Sternschaltung und eine gute Potentialausgleichsbrücke. Überprüfen Sie mit einem Multimeter, dass die Spannungsdifferenz zwischen Metallteilen <10 mV und der Widerstand <0,5 Ohm beträgt.

6.2 Alternative – NEN 1010-Situation

Wenn die Verwendung eines separaten Erdungsstabs gemäß NEN 1010 nicht zulässig ist (z. B. aufgrund von Versicherungsanforderungen):

- Verbinden Sie dann alle Metallteile, den WLS 3 und das Regelsystem mit der Hauserdung
- Vermeiden Sie stets ein gemischtes System (also nicht teilweise Erdungsstab und teilweise Hauserdung)
- Wenn dennoch ein separater Erdungsstab gesetzt wurde, verbinden Sie diesen elektrisch mit der Haupt-Erdungsschiene im Haus (gemäß NEN 1010 Art. 542.1.2)
- Achtung: Die Vorteile der galvanischen Trennung entfallen dabei teilweise, aber das System ist dann normkonform.

6.3 Kontrollwerte

- Widerstand zwischen Sensor und Erdungspunkt: < 1 Ohm
- Widerstand zwischen Metallkomponenten und Potentialbrücke: < 0,5 Ohm
- Spannungsdifferenz zwischen Metallteilen: < 10 mV
- Erdungsstab: Streuwiderstand < 30 Ohm (vorzugsweise < 10 Ohm)

6.4 Verantwortung

- Die Erdung und der Potentialausgleich fallen in den Verantwortungsbereich des Installateurs.
- Im Zweifelsfall: Wenden Sie sich an einen zertifizierten Elektriker.
- Norsup erstellt diese Anleitung als Leitfaden, übernimmt jedoch keine Haftung für Schäden, die durch eine fehlerhafte Installation entstehen.

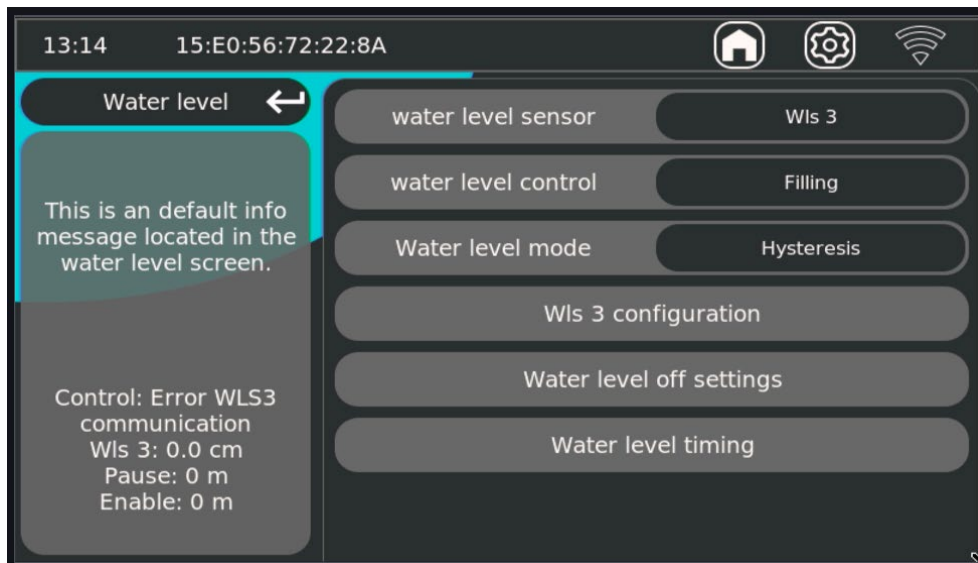
Tipp: Führen Sie nach der Installation immer eine Durchgangsprüfung und eine Fehlerstromprüfung (über FI-Schutzschalter) durch.

7. Systemkonfiguration

7.1 Kalibrierung

Im Menü „**Wasserstand**“ verwaltest du die gesamte Steuerung für das automatische Nachfüllen/Ablassen auf Basis der Füllstandsmessung.

Dieses Menü legt fest, **welcher Sensor verwendet wird, welche Regelungsmethode aktiv ist, wann die Regelung gesperrt wird und mit welchem Zeitabstand die Regelung schaltet.**



7.1.1 Sicherheit und Verantwortung (Wasserstand)

ACHTUNG – Der Wasserstand ist eine funktionale Regelung, keine primäre Überlaufsicherung

Die Wasserstandsregelung hilft bei der automatischen Steuerung des Wasserstands, ersetzt jedoch keine vorgeschriebenen baulichen oder hydraulischen Sicherheitsvorrichtungen (wie Überlauf, Ablaufsicherung, Rückschlagvorrichtung).

ACHTUNG – Falsche Blockierungseinstellungen können zu unerwünschtem Befüllen oder im Gegenteil zu keinem Befüllen führen

Die Optionen in **Einstellungen für Wasserstand** können die Regelung bewusst deaktivieren. Falsche Kombinationen können dazu führen, dass:

- einem vorzeitigen Stopp des Füllvorgangs;
- keiner Befüllung;
- Befüllen zu falschen Zeitpunkten.

ACHTUNG – Die Zuverlässigkeit der Sensoren ist eine Grundvoraussetzung

Bei Kommunikations- oder Messfehlern (wie im Status sichtbar: *Fehler WLS3-Kommunikation*) kann die Regelung nicht ordnungsgemäß funktionieren. Überprüfen Sie die Verkabelung, die Sensorkonfiguration, die Stromversorgung und mögliche Störquellen.

ACHTUNG – Verknüpfungen mit Durchfluss/Pumpe/Deck beeinflussen das Verhalten direkt

Wenn Sperren für Durchfluss, Pumpenstatus oder Deckposition aktiviert sind, funktioniert die Wasserstandsregelung nur, wenn diese Bedingungen erfüllt sind.

7.1.2 Wasserstand (Hauptseite)

Wasserstandssensor (Niveaumessung)

Legt den Sensortyp des Systems fest. Dies hängt von der Konfiguration des Systems ab. Bei einem normalen Schwimmer wählen Sie „Schwimmer“, und wenn ein Wasserstandssensor 3 installiert ist, wählen Sie „WLS 3“.

- Schwimmer
- WLS 3 (**wählen Sie bei der WLS-3-Konfiguration immer Modbus-Port 1**)

Wasserstandsregelung

Legt fest, was die Regelung steuert, zum Beispiel „Filling“ (Befüllen) oder „Drain“ (Entleeren). (Befüllung & Entleerung benötigen ein Hilfsrelais, um die Entleerungsfunktion zu gewährleisten).

- Befüllen
- Entleerung
- Befüllen und Entleeren

ACHTUNG: Im Entleerungsmodus wird der Magnetkontakt **NICHT** für die Entleerungsfunktion übernommen. Dies ist **jedoch** bei der Dosierung nur für pH+ der Fall (der pH-Kontakt wird dann geschlossen, wenn der pH-Wert zu niedrig ist).

Wasserstandsmodus

Legt die Regelungsmethode fest.

- Hysterese sorgt dafür, dass die Regelung erst stoppt, wenn der Sollwert erreicht ist
- PID Auto regelt die Heizung mit einer Pausenzeit (feste Zeit) und einer Einschaltdauer (geregelt). Je weiter der gemessene Wert vom Sollwert entfernt ist, desto länger wird die Einschaltdauer.
- „Time“ hält eine feste Pausenzeit und Einschaltzeit bei, solange der Sollwert nicht erreicht ist.

WLS 3-Konfiguration

Öffnet sensorspezifische Einstellungen für WLS3, derzeit nur Portauswahl. **(Wählen Sie immer Port 1)**

Einstellungen für Wasserstand-Abschaltung

In diesem Bildschirm legen Sie fest, wann die Wasserstandsregelung **nicht** schalten darf. Dies sind Sicherheits- und Betriebssperren.

Niveausperren

- **Zu hoch deaktivieren**
Blockiert die Regelung bei zu hohem Füllstand.
- **Deaktivieren bei hohem Pegel**
Sperrt die Regelung an der oberen „Aus“-Grenze.
- **Deaktivieren bei niedrigem „Aus“-Grenzwert**
Blockiert die Regelung an der unteren „Aus“-Grenze.
- **Deaktivieren bei zu niedrigem Wert**
Blockiert die Regelung bei zu niedrigem Pegel.

Durchflussabhängige Sperren

- **Deaktivieren mit Durchflusssensor**
Aktiviert die Sperrlogik auf Basis des Durchflusssensors.
- **Durchflusssensor deaktivieren**
Blockiert die Regelung bei Durchflussbedingung gemäß eingestellter Logik.

Deck-bezogene Sperren

- **Bei geschlossenem Deck deaktivieren**
Blockiert die Regelung, wenn das Deck geschlossen ist.
- **Deaktivieren bei offenem Deck**
Blockiert die Regelung, wenn das Deck offen ist.

Pumpen-/druckbezogene Sperren

- **Deaktivieren bei Pumpensteuerung**
Blockiert die Regelung basierend auf der Pumpensteuerung/dem Pumpenstatus.

Praktisch:

Verwenden Sie nur Sperren, die in Ihrem Hydraulikaufbau funktional erforderlich sind. Zu viele aktive Sperren gleichzeitig führen oft zu dem Problem: „Warum füllt er nicht?“.

Wasserstand-Zeitsteuerung

- Öffnet die Zeitsteuerungseinstellungen (Einschaltverzögerung, Ausschaltverzögerung und PID-Zeitfenster, falls zutreffend).
- **Aktivierungszeit (nur im Modus TIME)**
Zeit, die die Regelung pro Zyklus aktiv sein darf (z. B. 300 s).
- **Deaktivierungszeit (nur im Modus TIME)**
Wartezeit/Pause zwischen zwei Einschaltzeitpunkten (z. B. 0 m).
- **PID-Minimalzeit (nur im Modus PID Auto)**
Mindestzeitgrenze für die PID-gesteuerte Regelung (sofern der PID-Modus verwendet wird).
- **PID-Maximalzeit (nur im Modus PID Auto)**
Maximale Zeitgrenze für die PID-gesteuerte Regelung (sofern der PID-Modus verwendet wird).

Wichtig:

Wenn der Wasserstandsmodus auf „**Hysterese**“ eingestellt ist, sind PID-Zeiten in der Regel nicht maßgeblich für die Regelung. Verwenden Sie PID min/max nur, wenn der gewählte Regelmodus diese Werte auch tatsächlich nutzt.

8. Störungsprävention und Erdungstests

- Führen Sie immer Potentialausgleichstests durch
- Messen Sie Ableitströme über RCD (< 30 mA)
- Überprüfen Sie die Durchgängigkeit der Erdung
- Setzen Sie keine Komponenten mit unterschiedlichen Erdungsstrukturen in dasselbe System ein

9. Technische Spezifikationen

- Sensor: piezoresistiver Drucksensor
- Stromversorgung: 24 VDC
- Genauigkeit: < 1 mm
- Kabellängen: 30 / 50 / 100 m
- Schutzart: IP68
- Temperaturbereich: 0 – 50 °C

10. Garantiebedingungen

Diese Garantiebedingungen lassen die gesetzlichen Rechte des Verbrauchers gemäß dem geltenden nationalen Verbraucherkaufrecht, basierend auf der Richtlinie (EU) 2019/771, unberührt.

Der Verbraucher hat Anspruch auf ein Produkt, das dem Vertrag entspricht („Vertragsmäßigkeit“). Ist das Produkt nicht vertragsgemäß, hat der Verbraucher Anspruch auf kostenlose Reparatur oder Ersatzlieferung und – falls dies nicht möglich ist – auf Preisminderung oder Rücktritt vom Vertrag gemäß den gesetzlichen Bestimmungen.

Diese kommerzielle Garantie bietet zusätzliche Rechte und Bedingungen, wie unten beschrieben.

10.1 Garantiezeitraum (kommerzielle Garantie)

- Standardgarantie: 3 Jahre ab Lieferdatum
- Diese Fristen lassen die gesetzliche Konformitätsfrist unberührt.

10.2 Voraussetzungen für die Inanspruchnahme der kommerziellen Garantie

Die kommerzielle Garantie gilt ausschließlich, wenn:

15. das Produkt bei einem autorisierten Händler erworben wurde;
16. ein gültiger und lesbarer Kaufbeleg vorgelegt wird (mit Datum, Modell und Verkäufer);
17. das Produkt gemäß den Anweisungen installiert wurde, vorzugsweise durch einen autorisierten Installateur;
18. das Produkt ordnungsgemäß gemäß der Bedienungsanleitung und dem Verwendungszweck genutzt wurde;
19. Nachweislich regelmäßige Wartungsarbeiten durchgeführt wurden;
20. Die Seriennummer und das Typenschild sind intakt und lesbar;
21. Reparaturen wurden ausschließlich von NORSUP oder einem autorisierten Servicepartner durchgeführt.

10.3 Umfang der kommerziellen Garantie

Fällt ein Mangel unter diese Garantie, wird NORSUP nach eigenem Ermessen:

- das Produkt oder das Ersatzteil kostenlos reparieren oder
- das Produkt oder das Ersatzteil durch ein gleichwertiges Exemplar ersetzen.

Die Garantie umfasst keinen Anspruch auf Rückerstattung, Ersatzgeräte oder irgendeine Form von Schadensersatz, sofern dies nicht gesetzlich vorgeschrieben ist.

10.4 Ausschlüsse von der kommerziellen Garantie

Die kommerzielle Garantie gilt nicht in den folgenden Fällen:

Normaler Verschleiß und Verschleißteile

- Dichtungen, O-Ringe und Dichtungsringe
- Elektroden und Teile mit begrenzter Lebensdauer
- Teile, die normalem Verschleiß unterliegen

Unsachgemäße Verwendung oder Wartung

- Verwendung entgegen der Bedienungsanleitung
- Mangelhafte oder überfällige Wartung
- Falsche Wasserqualität (z. B. pH-Wert, Salzgehalt, Härte außerhalb der Spezifikationen)
- Kalkablagerungen, Korrosion oder Verschmutzung

Installation und externe Faktoren

- Falsche Installation oder Anschluss
- Schäden durch Frost, Hitze, Feuchtigkeit oder unzureichende Belüftung
- Elektrische Einflüsse (Überspannung, Blitzschlag, fehlerhafter Anschluss)
- Chemische Schäden durch Fremdstoffe

Umbauten und Nicht-Originalteile

- Verwendung von Nicht-Originalteilen
- Anpassungen am Produkt
- Reparaturen durch nicht autorisierte Dritte

Sonstige Ausschlüsse

- Ästhetische Schäden, die die Funktion nicht beeinträchtigen
- Transport- oder Lagerschäden nach der Lieferung
- Softwareprobleme, die durch externe Systeme oder eine fehlerhafte Konfiguration verursacht werden (unbeschadet der Rechte gemäß der Richtlinie (EU) 2019/770)

10.5 Kosten und ergänzende Bestimmungen

Sofern nicht zwingendes Recht etwas anderes vorschreibt:

- Arbeitskosten, Anfahrtskosten, Transportkosten sowie Demontage- und Montagekosten fallen unter die Garantie (sofern die Bedingungen erfüllt sind);
- Die Garantie gilt ausschließlich für den privaten Gebrauch; bei gewerblicher Nutzung kann eine kürzere Laufzeit gelten;
- Die Garantie ist ohne schriftliche Zustimmung nicht übertragbar.

10.6 Haftungsbeschränkung

Soweit gesetzlich zulässig, beschränkt sich die Haftung von NORSUP auf die in dieser Garantie beschriebenen Verpflichtungen. NORSUP haftet nicht für:

- indirekte Schäden oder Folgeschäden;
- Einkommens-, Gewinn- oder Nutzungsausfälle;
- Schäden infolge eines Ausfalls des Produkts;
- Schäden an anderen Systemen oder Eigentum.

Diese Einschränkung gilt nicht bei Vorsatz, grober Fahrlässigkeit oder wenn die Haftung gesetzlich nicht ausgeschlossen werden kann.

10.7 Verfahren bei Gewährleistungsansprüchen

Zur Geltendmachung eines Anspruchs muss der Verbraucher:

9. sich an den Verkäufer oder einen autorisierten Installateur wenden;
10. den Kaufbeleg vorlegen;
11. eine klare Beschreibung des Mangels vorlegen;
12. auf Verlangen das Produkt zur Begutachtung zur Verfügung stellen.

Schlussbestimmung

Sollte eine Bestimmung dieser Garantie ungültig oder undurchsetzbar sein, bleiben die übrigen Bestimmungen uneingeschränkt in Kraft. Für diese Garantie gilt das Recht des Landes, in dem der Kauf getätigt wurde, unter Beachtung des zwingenden europäischen Verbraucherrechts.

Capteur de niveau d'eau 3 (WLS 3)

Manuel



www.norsup.eu



NorsupGo est fabriqué par :
Europe Pool Supplies BV – Randweg 10 – 4116 GH BUREN (GLD) – Pays-Bas

1. Introduction

Le capteur de niveau d'eau 3 (WLS 3) est un capteur de niveau précis conçu pour le remplissage automatique d'eau et la protection contre les débordements en combinaison avec le NorsupOneV3. Le capteur est équipé d'un élément piézorésistif qui convertit la pression de l'eau en un signal mesurable sans aucune pièce mobile.

2. Application et fonctions

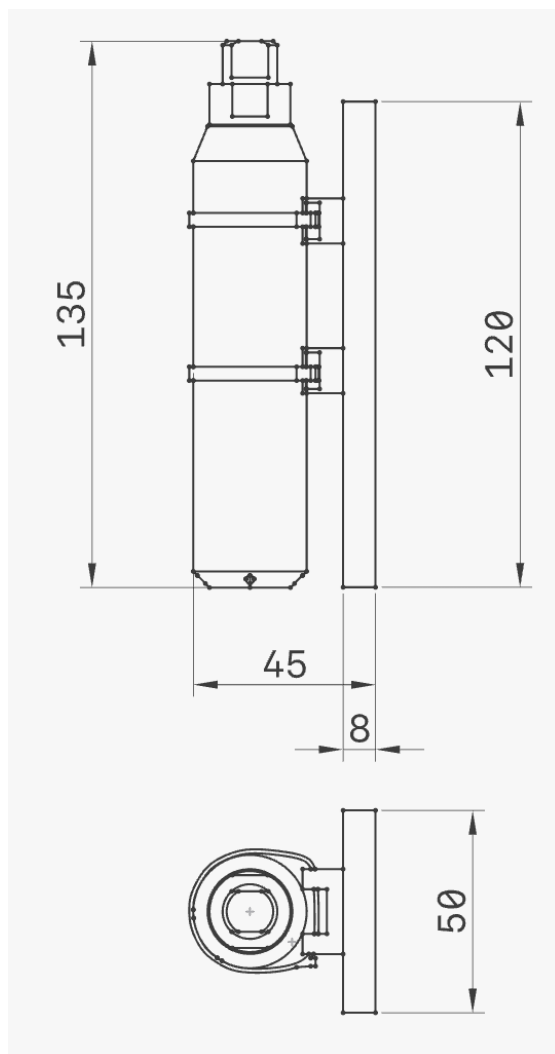
- Remplissage automatique de l'eau de la piscine
- Surveillance du niveau pour la sécurité de la couverture
- Traitement du signal haute résolution
- Intégrable avec NorsupOneV3
- Protection contre un niveau d'eau trop bas ou trop élevé
- Rétrolavage automatique (en combinaison avec Autovalve)

État du niveau :

- Trop haut → couvercle bloqué, alimentation désactivée, + lavage à contre-courant automatique (en combinaison avec Autovalve)
- Élevé → couverture active, alimentation désactivée
- OK → niveau de référence (ligne zéro)
- Bas → alimentation en eau active
- Trop bas → couverture bloquée, alimentation active

3. Consignes de sécurité

- Installation et maintenance réservées à un personnel qualifié
- Toujours couper l'alimentation avant toute installation ou inspection
- Manipulez le capteur avec précaution et évitez d'endommager le câble
- Utilisez des pièces d'origine et suivez scrupuleusement ce manuel
- Ne laissez jamais le fil jaune (blindage) en suspension ou mal raccordé
- Ne percez jamais le capuchon de protection du capteur. Cela endommagerait le capteur de manière irréversible.
- Ne dévissez jamais le capuchon de protection sans l'autorisation d'un personnel techniquement qualifié
- Suivez toujours les instructions de l'appareil avec lequel l'article est intégré.



4. Installation

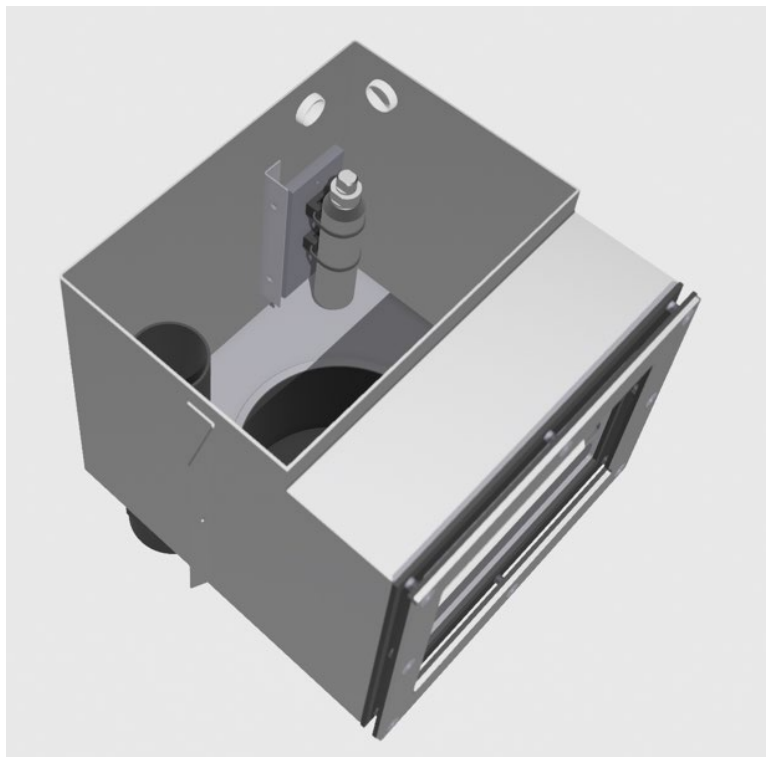
4.1 Purge

- Maintenez le capteur à l'envers sous l'eau pour éliminer l'air
- Secouez légèrement pour faire s'échapper les bulles d'air

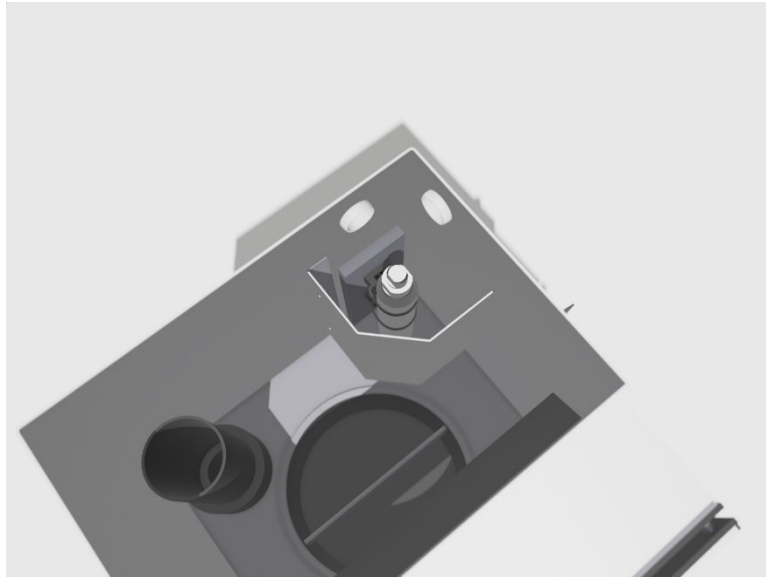


4.2 Montage en acier inoxydable

Le WLS 3 peut être placé dans le skimmer en acier inoxydable derrière la plaque de protection/plaque d'amortissement à l'aide de la plaque de montage en PVC



- Démontez la plaque d'amortissement pour accéder à l'emplacement de montage. Installez-y la plaque en PVC et vissez les supports pour colliers de serrage à l'aide des vis en acier inoxydable



La hauteur n'a pas d'importance. Le capteur peut être calibré à n'importe quelle hauteur d'eau souhaitée et la conservera comme ligne de référence.

Le capteur doit être immergé d'au moins 3 cm, mesurés à partir de la face inférieure. (Dans notre formation de Joery, il est question de 10 cm au total ?)

4.3 Entrée de câble

- Faites passer le câble à travers une gaine de protection
- Évitez les coudes serrés ou les plis
- Le tuyau de purge dans le câble ne doit pas être obturé ni collé

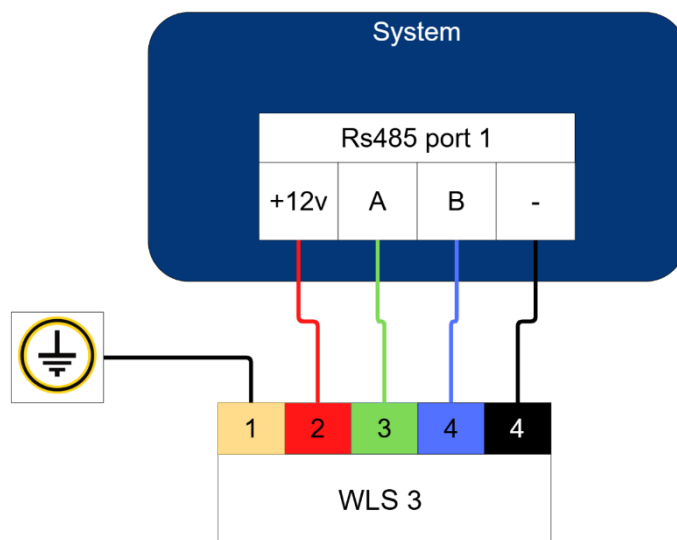
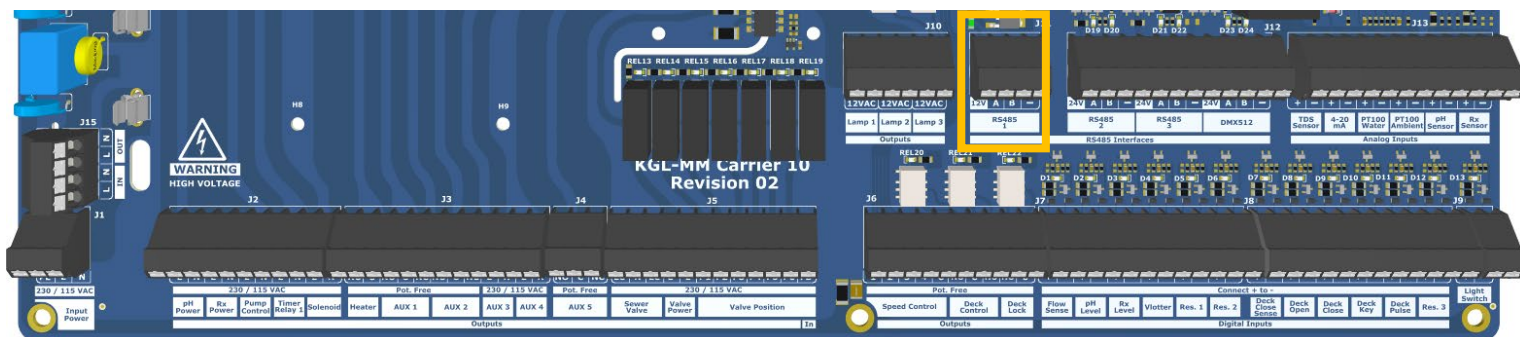
5. Raccordement électrique

5.1 Code couleur

- Vert/Bleu = Signal
- Noir = GND
- Rouge = 24 VCC
- Jaune = Blindage (voir chapitre 6)

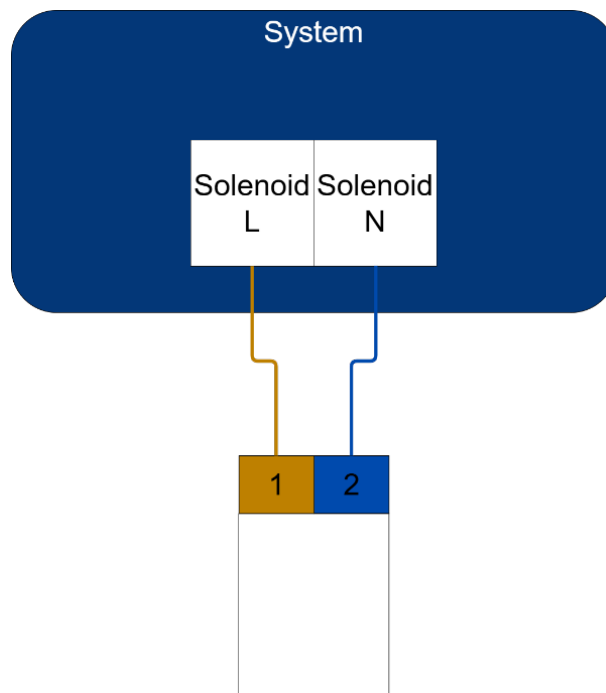
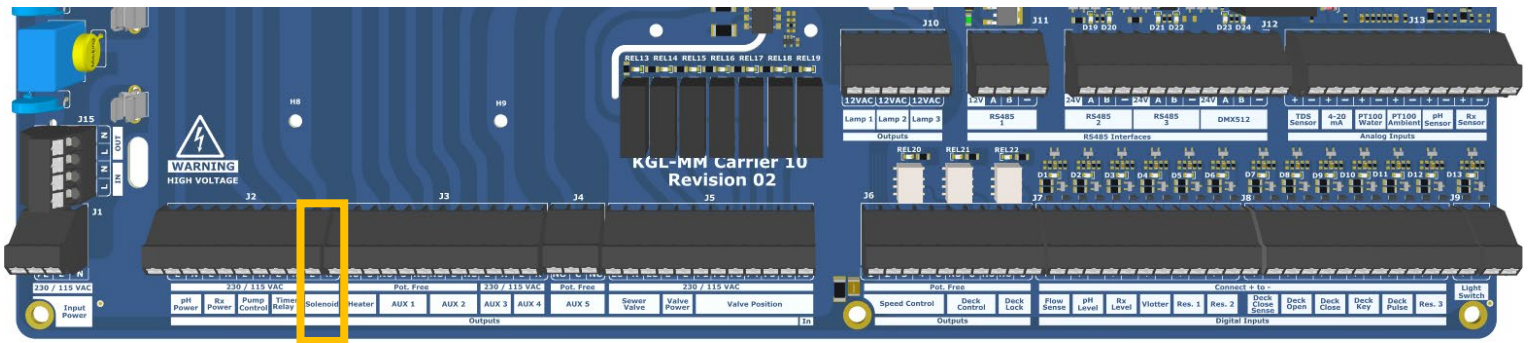
5.2 Raccordement du WLS 3

- Mettre le NorsupOneV3 hors tension
- Toujours Toujours connecter au port RS485 1
- **ATTENTION !**
 - Raccorder le WL-A au B
 - Raccorder WL-B à A



5.3 Raccordement de la vanne de remplissage/du solénoïde

La sortie de la vanne de remplissage/électroaimant commute en **230 V CA**.



6. Mise à la terre et liaison équipotentielle

Lisez l'intégralité du rapport d'étude « Mise à la terre efficace des piscines » et assurez-vous de bien comprendre ce sujet. En cas de doute, consultez un électricien qualifié.

Le WLS 3 doit être correctement mis à la terre afin d'éviter les erreurs de mesure, les dysfonctionnements des capteurs et la corrosion galvanique. La stratégie suivante s'appuie sur l'expérience pratique et les normes internationales (IEC/EN 61558 et IEC/EN 61000) et comprend désormais également une explication des exigences de la norme NEN 1010.

6.1 Stratégie standard – Piquet de terre séparé

Utilisez un piquet de terre enfoncé séparément comme point de mise à la terre central.

Y raccorder :

- Le fil de blindage jaune (shield) du WLS 3
- Les composants en acier inoxydable tels que l'escalier, le skimmer, les tuyaux
- Le boîtier/la mise à la terre du NorsupOneV3

Éventuellement : des machines à contre-courant ou des pompes à chaleur, si cela est autorisé par le fabricant

Veillez à une configuration en étoile et à un bon pont d'équilibrage de potentiel. Vérifiez à l'aide d'un multimètre que la différence de tension entre les parties métalliques est inférieure à 10 mV et que la résistance est inférieure à 0,5 ohm.

6.2 Alternative – Situation NEN 1010

Si l'utilisation d'un piquet de terre séparé n'est pas autorisée selon la norme NEN 1010 (par exemple en raison d'exigences d'assurance) :

- Reliez alors toutes les parties métalliques, le WLS 3 et le système de régulation à la terre domestique
- Évitez toujours un système mixte (c'est-à-dire pas en partie piquet de terre et en partie terre domestique)
- Si un piquet de terre séparé est tout de même installé, reliez-le électriquement au rail de terre principal de la maison (conformément à la norme NEN 1010, art. 542.1.2)
- Attention : les avantages de l'isolation galvanique sont alors partiellement perdus, mais le système est conforme aux normes.

6.3 Valeurs de contrôle

- Résistance entre le capteur et le point de mise à la terre : < 1 ohm
- Résistance entre les composants métalliques et le pont de potentiel : < 0,5 ohm
- Différence de tension entre les composants métalliques : < 10 mV
- Piquet de terre : résistance de dispersion < 30 ohms (de préférence < 10 ohms)

6.4 Responsabilité

- La mise à la terre et l'équilibrage de potentiel relèvent de la responsabilité de l'installateur.
- En cas de doute : contactez un électricien certifié.
- Norsup fournit ce manuel à titre indicatif, mais ne peut être tenu responsable des dommages résultant d'une installation incorrecte.

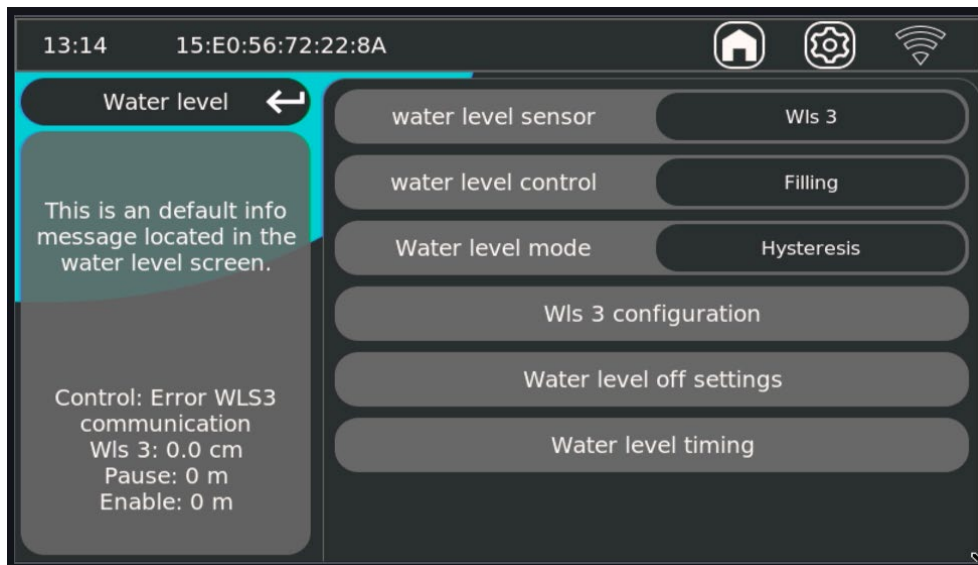
Conseil : effectuez toujours un test de continuité et un test de courant de fuite (via un disjoncteur différentiel) après l'installation.

7. Configuration du système

7.1 Étalonnage

Dans le menu **Niveau d'eau**, vous gérez l'ensemble du système de remplissage/vidange automatique en fonction de la mesure du niveau.

Ce menu détermine **quel capteur est utilisé, quelle méthode de régulation est active, quand la régulation est bloquée et à quel intervalle la régulation commute.**



7.1.1 Sécurité et responsabilité (niveau d'eau)

ATTENTION – Le niveau d'eau est une régulation fonctionnelle, et non une protection anti-débordement primaire

La régulation du niveau d'eau aide à gérer automatiquement le niveau, mais ne remplace pas les dispositifs de sécurité architecturaux ou hydrauliques obligatoires (tels que trop-plein, dispositif de sécurité de vidange, clapet anti-retour).

ATTENTION – Des réglages de blocage incorrects peuvent entraîner un remplissage indésirable ou, au contraire, empêcher tout remplissage

Les options dans **Paramètres de désactivation du niveau d'eau** peuvent désactiver délibérément le contrôle. Des combinaisons incorrectes peuvent entraîner :

- un arrêt prématuré du remplissage ;
- un remplissage inachevé ;
- un remplissage à des moments inappropriés.

ATTENTION – La fiabilité des capteurs est une condition préalable

En cas d'erreurs de communication ou de mesure (comme indiqué dans l'état : *Error WLS3 communication*), le système de régulation ne peut pas fonctionner correctement. Vérifiez le câblage, la configuration des capteurs, l'alimentation et les sources de perturbation.

ATTENTION – Les liaisons avec le débit/la pompe/le pont influencent directement le comportement

Lorsque les verrouillages sur le débit, l'état de la pompe ou la position du pont sont activés, la régulation du niveau d'eau ne fonctionnera que si ces conditions sont remplies.

7.1.2 Niveau d'eau (page d'accueil)

Capteur de niveau d'eau (mesure du niveau)

Détermine le type de capteur du système. Cela dépend de la configuration du système. Si vous disposez d'un flotteur standard, sélectionnez « Flotteur » ; si un capteur de niveau d'eau 3 est installé, sélectionnez « WLS 3 ».

- Flotteur
- WLS 3 (**sélectionnez toujours le port Modbus 1 pour la configuration WLS 3**)

Contrôle du niveau d'eau

Détermine ce que le système de régulation commande, par exemple le remplissage ou la vidange. (le remplissage et la vidange nécessitent un relais auxiliaire pour assurer la fonction de vidange).

- Remplissage
- Vidange
- Remplissage et vidange

ATTENTION : En mode vidange, le contact du solénoïde **N'EST PAS** utilisé pour la fonction de vidange. C'est **EN REVANCHE** le cas pour le dosage uniquement de pH+ (le contact pH- s'activera alors lorsque le pH est trop bas).

Mode niveau d'eau

Détermine la méthode de régulation.

- L'hystérésis garantit que la régulation ne s'arrête que lorsque la valeur souhaitée est atteinte
- Le PID Auto régule le chauffage avec un temps de pause (temps fixe) et une durée d'activation (régulée). Plus la valeur mesurée s'écarte de la valeur souhaitée, plus la durée d'activation sera longue.
- Time maintient un temps de pause et un temps d'activation fixes tant que la valeur de consigne n'est pas atteinte.

Configuration WLS 3

Ouvre les paramètres spécifiques au capteur pour WLS3, actuellement uniquement la sélection du port. **(Choisissez toujours le port 1)**

Réglages de coupure du niveau d'eau

Dans cet écran, vous définissez les conditions dans lesquelles le régulateur de niveau d'eau **ne** doit pas s'enclencher. Il s'agit de blocages de sécurité et de fonctionnement.

Blocages de niveau

- **Désactiver niveau trop élevé**
Bloque la régulation en cas de niveau trop élevé.
- **Désactiver haut**
Bloque la régulation à la limite haute « off ».
- **Désactiver bas**
Bloque la régulation à la limite basse « off ».
- **Désactivation niveau trop bas**
Bloque la régulation lorsque le niveau est trop bas.

Blocages liés au débit

- **Désactivation avec capteur de débit**
Active la logique de blocage basée sur le capteur de débit.
- **Désactiver le capteur de débit**
Bloque la régulation lorsque la condition de débit est remplie selon la logique définie.

Blocages liés au pont

- **Désactiver lorsque le pont est fermé**
Bloque la régulation lorsque le pont est fermé.
- **Désactiver lorsque le pont est ouvert**
Bloque la régulation lorsque le pont est ouvert.

Blocages liés à la pompe/pression

- **Désactiver sur commande de pompe**
Bloque la régulation en fonction de la commande/de l'état de la pompe.

Conseil pratique :

N'utilisez que les blocages qui sont fonctionnellement nécessaires dans votre configuration hydraulique. Un trop grand nombre de blocages actifs simultanément entraîne souvent un comportement de type « pourquoi ne se remplit-il pas ? ».

Temporisation du niveau d'eau

- Ouvrir les paramètres de temporisation (temporisation d'activation, temporisation de désactivation et fenêtres de temps PID, le cas échéant).
- **Temps d'activation (uniquement en mode TIME)**
Durée pendant laquelle le régulateur peut s'activer par cycle (par ex. 300 s).
- **Temps de désactivation (uniquement en mode TIME)**
Temps d'attente/pause entre deux activations (par ex. 0 s).
- **Temps PID min (uniquement en mode PID Auto)**
Limite de temps minimale pour la commande PID (si le mode PID est utilisé).
- **Durée maximale PID (uniquement en mode PID Auto)**
Limite de temps maximale pour la commande PID (si le mode PID est utilisé).

Important :

Si le mode Water level est réglé sur **Hystérésis**, les temps PID ne sont généralement pas déterminants pour la régulation. N'utilisez les valeurs PID min/max que si le mode de régulation sélectionné utilise effectivement ces valeurs.

8. Prévention des perturbations et tests de mise à la terre

- Effectuez toujours des tests d'équilibrage de potentiel
- Mesurez les courants de fuite via un disjoncteur différentiel (< 30 mA)
- Vérifiez la continuité de la mise à la terre
- Ne placez pas de composants présentant des structures de mise à la terre différentes dans le même système

9. Spécifications techniques

- Capteur : capteur de pression piézorésistif
- Alimentation : 24 VCC
- Précision : < 1 mm
- Longueurs de câble : 30 / 50 / 100 m
- Indice de protection : IP68
- Plage de température : 0 – 50 °C

10. Conditions de garantie

Les présentes conditions de garantie ne portent pas atteinte aux droits légaux du consommateur en vertu de la législation nationale applicable en matière de vente aux consommateurs, fondée sur la directive (UE) 2019/771.

Le consommateur a droit à un produit conforme au contrat (« conformité »). Si le produit n'est pas conforme, le consommateur a droit à une réparation ou à un remplacement gratuit, et – si cela n'est pas possible – à une réduction du prix ou à la résiliation du contrat, conformément aux dispositions légales.

La présente garantie commerciale offre des droits et conditions supplémentaires, tels que décrits ci-dessous.

10.1 Durée de la garantie (garantie commerciale)

- Garantie standard : 3 ans à compter de la date de livraison
- Ces délais ne portent pas atteinte au délai de conformité légal.

10.2 Conditions d'application de la garantie commerciale

La garantie commerciale s'applique exclusivement si :

22. Le produit a été acheté auprès d'un revendeur agréé ;
23. Une preuve d'achat valide et lisible est présentée (avec la date, le modèle et le nom du vendeur) ;
24. Le produit a été installé conformément aux instructions, de préférence par un installateur agréé ;
25. Le produit a été utilisé correctement, conformément au manuel et à l'usage prévu ;
26. L'entretien périodique a été effectué de manière vérifiable ;
27. Le numéro de série et la plaque signalétique sont intacts et lisibles ;
28. Les réparations ont été effectuées exclusivement par NORSUP ou un partenaire de service agréé.

10.3 Étendue de la garantie commerciale

Si un défaut est couvert par la présente garantie, NORSUP, à sa discrétion :

- réparer gratuitement le produit ou la pièce, ou
- remplacer le produit ou la pièce par un exemplaire équivalent.

La garantie ne donne droit à aucun remboursement, équipement de remplacement ou indemnisation, sauf si la loi l'exige.

10.4 Exclusions de la garantie commerciale

La garantie commerciale ne s'applique pas dans les cas suivants :

Usure normale et pièces d'usure

- Joints, joints toriques et garnitures
- Électrodes et pièces à durée de vie limitée
- Pièces soumises à une usure normale

Utilisation ou entretien incorrects

- Utilisation non conforme au manuel
- Entretien insuffisant ou en retard
- Mauvaise qualité de l'eau (par ex. pH, salinité, dureté hors spécifications)
- Dépôts calcaires, corrosion ou encrassement

Installation et facteurs externes

- Installation ou raccordement incorrect
- Dommages causés par le gel, la chaleur, l'humidité ou une ventilation insuffisante
- Influences électriques (surtension, foudre, raccordement incorrect)
- Dommages chimiques causés par des substances externes

Modifications et pièces non d'origine

- Utilisation de pièces non d'origine
- Modifications apportées au produit
- Réparations effectuées par des tiers non agréés

Autres exclusions

- Dommages esthétiques n'affectant pas le fonctionnement
- Dommages liés au transport ou au stockage après la livraison
- Problèmes logiciels causés par des systèmes externes ou une configuration incorrecte (sans préjudice des droits prévus par la directive (UE) 2019/770)

10.5 Frais et dispositions complémentaires

Sauf disposition contraire de la loi :

- Les frais de main-d'œuvre, les frais de déplacement, les frais de transport et les frais de démontage/montage sont couverts par la garantie (si les conditions sont remplies) ;
- La garantie s'applique exclusivement à un usage privé ; en cas d'usage professionnel, une durée plus courte peut s'appliquer ;
- La garantie n'est pas transférable sans autorisation écrite.

10.6 Limitation de responsabilité

Dans la mesure où la loi le permet, la responsabilité de NORSUP est limitée aux obligations décrites dans la présente garantie. NORSUP n'est pas responsable :

- les dommages indirects ou consécutifs ;
- la perte de revenus, de bénéfices ou d'utilisation ;
- les dommages résultant de l'immobilisation du produit ;
- les dommages causés à d'autres systèmes ou biens.

Cette limitation ne s'applique pas en cas de faute intentionnelle, de négligence grave ou lorsque la responsabilité ne peut être légalement exclue.

10.7 Procédure en cas de réclamation au titre de la garantie

Pour introduire une réclamation, le consommateur doit :

13. Contacter le vendeur ou l'installateur agréé ;
14. Présenter la preuve d'achat ;
15. Fournir une description claire du défaut ;
16. Mettre le produit à disposition pour inspection sur demande.

Disposition finale

Si une disposition de la présente garantie s'avérait invalide ou inapplicable, les autres dispositions resteraient pleinement en vigueur. La présente garantie est régie par le droit du pays d'achat, sous réserve des dispositions impératives du droit européen de la consommation.

Czujnik poziomu wody 3 (WLS 3)

Instrukcja obsługi



www.norsup.eu



NorsupGo jest produkowany przez:
Europe Pool Supplies BV – Randweg 10 – 4116 GH BUREN (GLD) – Holandia

1. Wprowadzenie

Czujnik poziomu wody 3 (WLS 3) to precyzyjny czujnik poziomu opracowany do automatycznego uzupełniania wody i zabezpieczenia przed zalaniem w połączeniu z NorsupOneV3. Czujnik jest wyposażony w element piezorezystancyjny, który przekształca ciśnienie wody w mierzalny sygnał bez ruchomych części.

2. Zastosowanie i funkcje

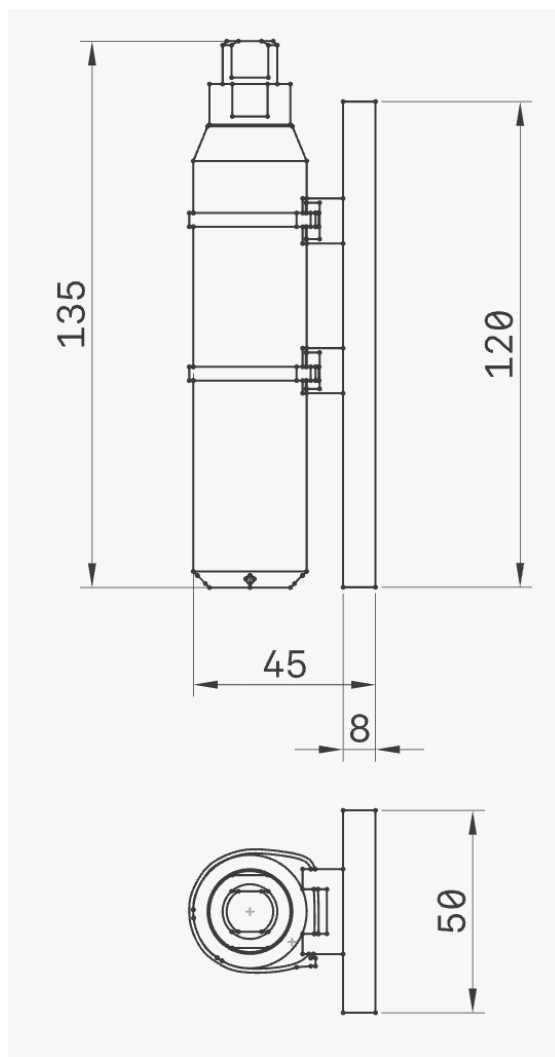
- Automatyczne uzupełnianie wody w basenie
- Monitorowanie poziomu wody dla bezpieczeństwa pokrywy
- Przetwarzanie sygnału o wysokiej rozdzielczości
- Możliwość integracji z NorsupOneV3
- Ochrona przed zbyt niskim lub zbyt wysokim poziomem wody
- Automatyczne płukanie wsteczne (w połączeniu z Autovalve)

Stan poziomu:

- Zbyt wysoki → pokrywa zablokowana, uzupełnianie wyłączone, + automatyczne płukanie wsteczne (w połączeniu z Autovalve)
- Wysoki → pokrywa aktywna, uzupełnianie wyłączone
- OK → poziom odniesienia (linia zerowa)
- Niski → uzupełnianie aktywne
- Zbyt niski → pokrywa zablokowana, uzupełnianie aktywne

3. Instrukcje bezpieczeństwa

- Instalacja i konserwacja wyłącznie przez wykwalifikowany personel
- Przed montażem lub kontrolą zawsze należy odłączyć zasilanie
- Należy obchodzić się z czujnikiem ostrożnie i unikać uszkodzenia kabla
- Należy używać oryginalnych części i ściśle przestrzegać niniejszej instrukcji
- Nigdy nie pozostawiaj żółtego przewodu (ekranu) swobodnie zwisającego lub nieprawidłowo podłączonego
- Nigdy nie wkładaj niczego przez osłonę czujnika. Spowoduje to nieodwracalne uszkodzenie czujnika.
- Nigdy nie odkręcaj osłony ochronnej bez zgody wykwalifikowanego personelu technicznego
- Zawsze postępuj zgodnie z instrukcjami urządzenia, z którym produkt jest integrowany.



4. Instalacja

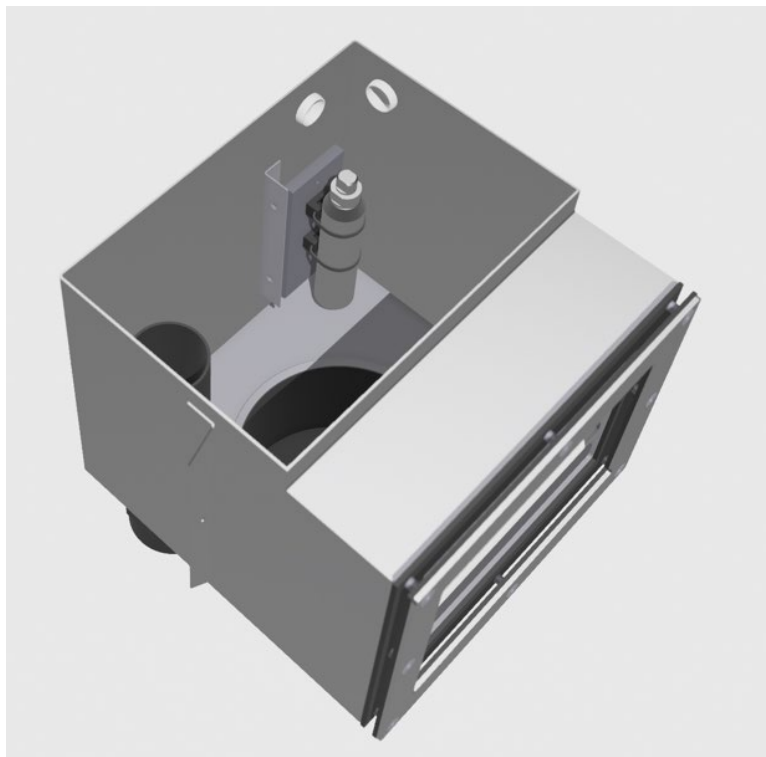
4.1 Odpowietrzanie

- Trzymaj czujnik do góry nogami pod wodą, aby usunąć powietrze
- Delikatnie potrząśnij, aby usunąć pęcherzyki powietrza

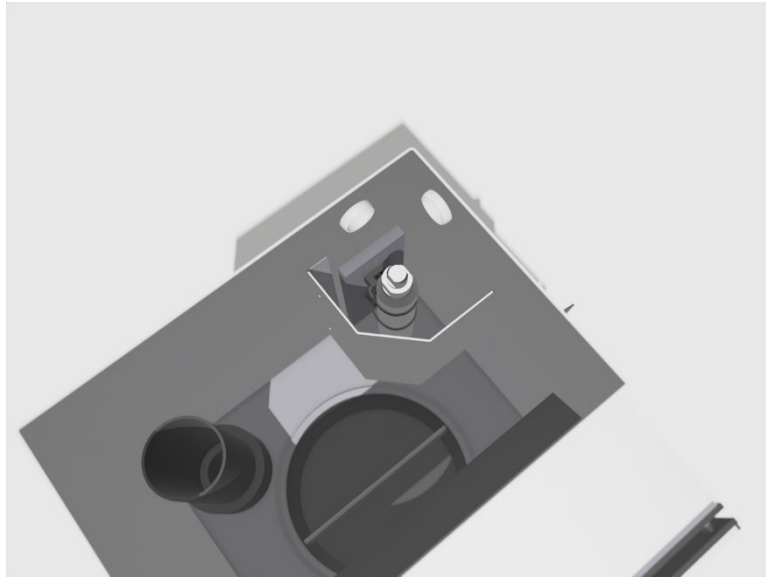


4.2 Montaż w stali nierdzewnej

Czujnik WLS 3 można umieścić w skimmerze ze stali nierdzewnej za płytką ochronną/tłumiącą za pomocą płytki montażowej z PVC



- Zdemontuj płytkę tłumiącą, aby uzyskać dostęp do miejsca montażu. Zamontuj tam płytkę z PVC i przykręć uchwyty opasek zaciskowych za pomocą śrub ze stali nierdzewnej



Wysokość nie ma znaczenia. Czujnik można skalibrować na dowolnym poziomie wody i będzie on traktował ten poziom jako linię zerową.

Czujnik musi znajdować się co najmniej 3 cm pod wodą, mierząc od spodu. (w naszym szkoleniu Joery'ego jest mowa o 10 cm w sumie?)

4.3 Przejście kabla

- Przeprowadź kabel przez osłoniętą tuleję przepustową
- Należy unikać ostrych zagięć lub załamania
- Rurka odpowietrzająca w kablu nie może być zamknięta ani sklejona

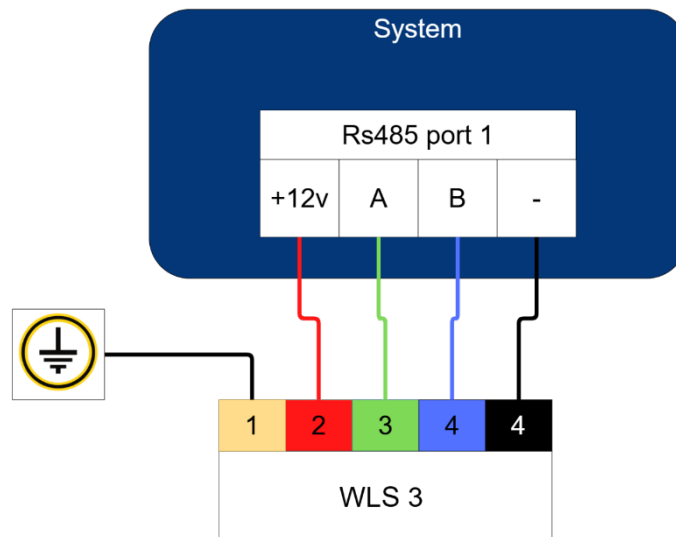
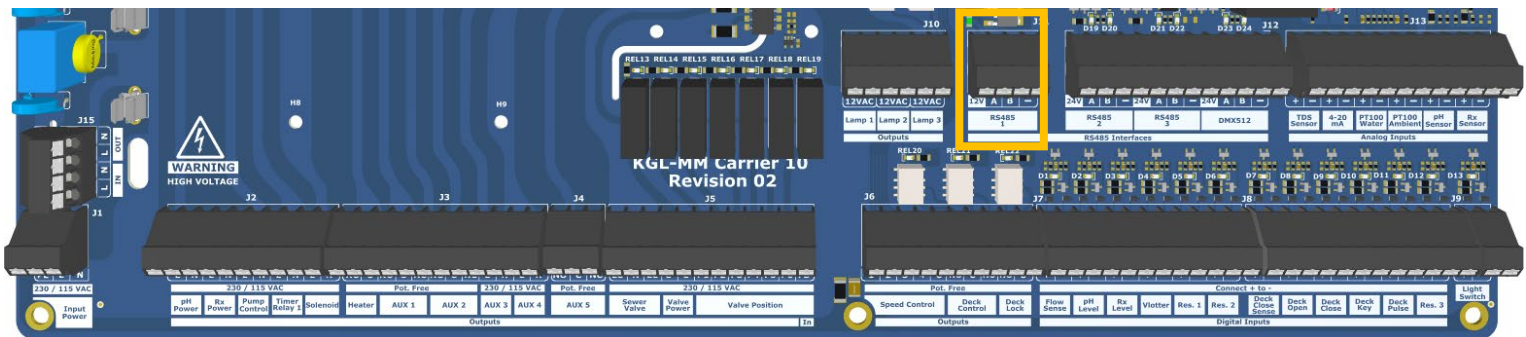
5. Podłączenie elektryczne

5.1 Oznaczenia kolorystyczne

- Zielony/niebieski = sygnał
- Czarny = GND
- Czerwony = 24 VDC
- Żółty = ekran (patrz rozdział 6)

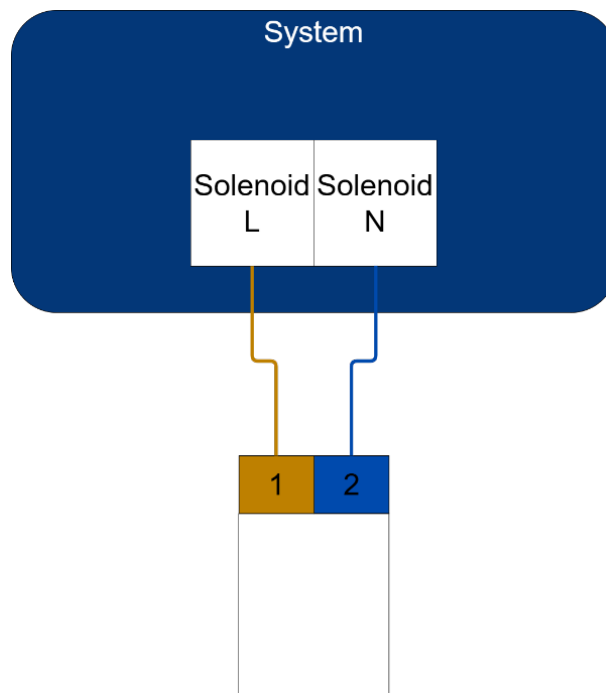
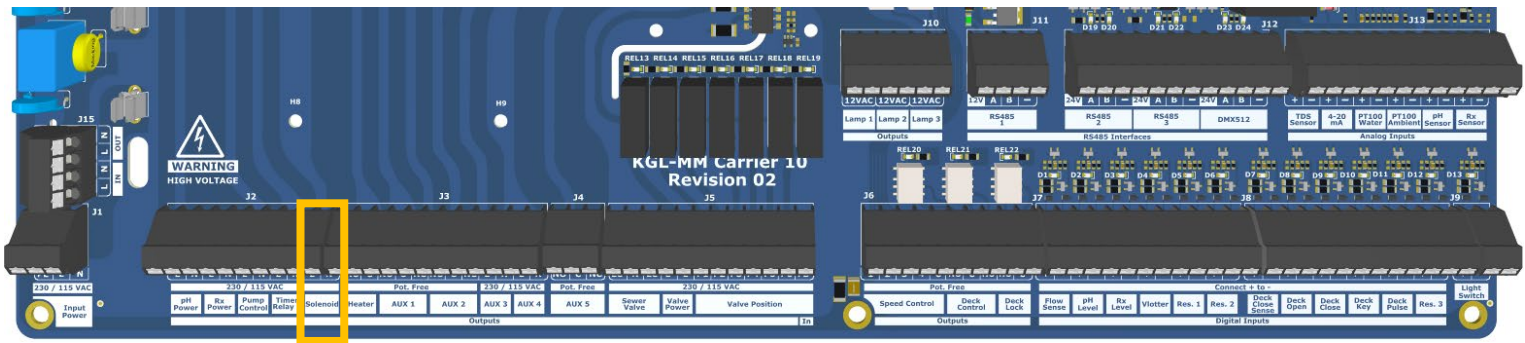
5.2 Podłączanie WLS 3

- Odłączyć zasilanie NorsupOneV3
- Kabel zawsze podłączać do portu Rs485 1
- **UWAGA!:**
 - Podłączyć WL-A do B
 - Podłączyć WL-B do A



5.3 Podłączenie zaworu napełniającego/elektromagnesu

Wyjście zaworu napełniającego/elektromagnesu przełącza **napięcie 230 V AC**.



6. Uziemienie i wyrównanie potencjałów

Przeczytaj cały raport z badań „Skuteczne uziemienie basenu” i upewnij się, że w pełni rozumiesz ten temat. W razie wątpliwości skonsultuj się z wykwalifikowanym elektrykiem.

Urządzenie WLS 3 musi być prawidłowo uziemione, aby zapobiec błędom pomiarowym, awariom czujników i korozji galwanicznej. Poniższa strategia opiera się na doświadczeniach praktycznych, normach międzynarodowych (IEC/EN 61558 i IEC/EN 61000) i zawiera teraz również wyjaśnienie wymagań normy NEN 1010.

6.1 Strategia standardowa – oddzielny słup uziemiający

Jako centralny punkt uziemienia należy użyć oddzielnie wbitego kołka uziemiającego.

Podłącz do niego:

- Żółty przewód ekranujący (shield) z WLS 3
- Elementy ze stali nierdzewnej, takie jak schody, skimmer, rury
- Obudowę/uziemienie urządzenia NorsupOneV3

Ewentualnie: urządzenia z przepływem przeciwprądowym lub pompy ciepła, o ile jest to dozwolone przez producenta

Zapewnij konfigurację gwiazdztą i dobry most wyrównawczy potencjałów. Sprawdź multimetrem, czy różnica napięcia między metalowymi częściami wynosi <10 mV, a rezystancja <0,5 oma.

6.2 Alternatywa – sytuacja zgodna z normą NEN 1010

Jeśli zgodnie z normą NEN 1010 nie jest dozwolone stosowanie oddzielnego uziemienia (np. ze względu na wymogi ubezpieczeniowe):

- Należy połączyć wszystkie metalowe elementy, WLS 3 i system regulacyjny z uziemieniem domowym
- Zawsze należy unikać systemu mieszanego (czyli nie stosować częściowo słupka uziemiającego, a częściowo uziemienia domowego)
- Jeśli jednak zainstalowano oddzielny słup uziemiający, należy go połączyć elektrycznie z główną szyną uziemiającą w budynku (zgodnie z normą NEN 1010 art. 542.1.2)
- Uwaga: w tym przypadku zalety izolacji galwanicznej zostają częściowo utracone, ale system jest wówczas zgodny z normą.

6.3 Wartości kontrolne

- Rezystancja między czujnikiem a punktem uziemienia: < 1 om
- Rezystancja między elementami metalowymi a mostkiem potencjałowym: < 0,5 oma
- Różnica napięć między elementami metalowymi: < 10 mV
- Wbój uziemiający: rezystancja rozprzestrzeniania < 30 omów (najlepiej < 10 omów)

6.4 Odpowiedzialność

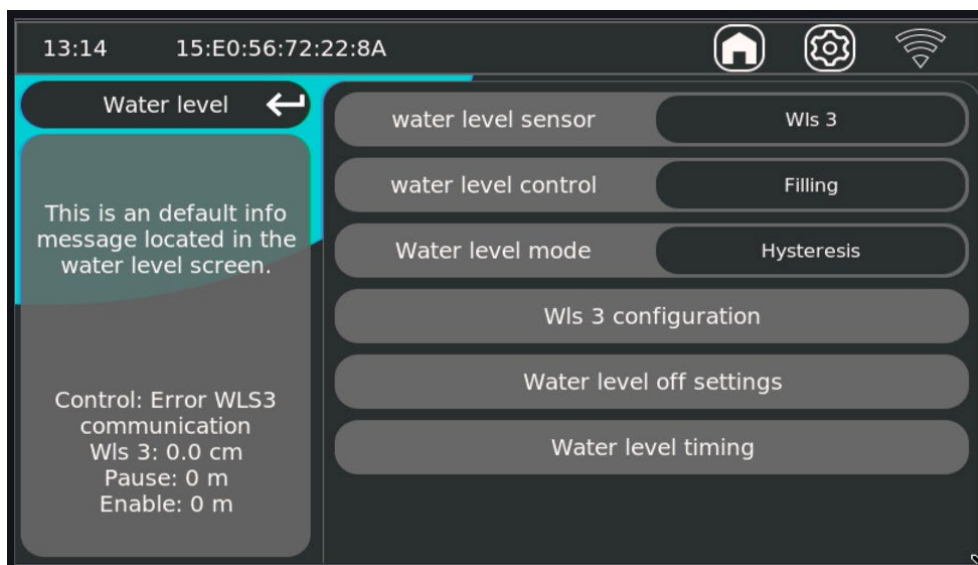
- Za uziemienie i wyrównanie potencjałów odpowiada instalator.
- W razie wątpliwości: skontaktuj się z certyfikowanym elektrykiem.
- Firma Norsup opracowała niniejszą instrukcję jako wytyczne, ale nie ponosi odpowiedzialności za szkody spowodowane nieprawidłową instalacją.

Wskazówka: Po montażu zawsze należy przeprowadzić pomiar ciągłości oraz test prądu upływowego (za pomocą wyłącznika różnicowoprądowego).

7. Konfiguracja systemu

7.1 Kalibracja

W menu **Poziom wody** zarządzasz pełną regulacją automatycznego uzupełniania/odcinania na podstawie pomiaru poziomu. To menu określa, **który czujnik jest używany, która metoda regulacji jest aktywna, kiedy regulacja jest zablokowana oraz z jaką częstotliwością przełącza się regulacja.**



7.1.1 Bezpieczeństwo i odpowiedzialność (poziom wody)

UWAGA – Poziom wody to regulacja funkcjonalna, a nie podstawowe zabezpieczenie przed przelaniem

Regulacja poziomu wody pomaga automatycznie zarządzać poziomem, ale nie zastępuje obowiązkowych zabezpieczeń konstrukcyjnych lub hydraulicznych (takich jak przelew, zabezpieczenie odpływu, zawór zwrotny).

UWAGA – Nieprawidłowe ustawienia blokady mogą spowodować niepożądane napełnienie lub brak napełnienia

Opcje w **Ustawienia wyłączenia poziomu wody** mogą celowo wyłączyć regulację. Niewłaściwe kombinacje mogą prowadzić do:

- zbyt wczesnego zatrzymania napełniania;
- całkowitego braku napełniania;
- napełniania w niewłaściwych momentach.

UWAGA – Niezawodność czujników jest warunkiem koniecznym

W przypadku błędów komunikacyjnych lub pomiarowych (widocznych w statusie: *Błąd komunikacji WLS3*) regulator nie może działać prawidłowo. Sprawdź okablowanie, konfigurację czujnika, zasilanie i źródła zakłóceń.

UWAGA – Połączenia z przepływem/pompą/pokładem mają bezpośredni wpływ na działanie

Gdy włączone są blokady przepływu, stanu pompy lub pozycji pokładu, regulacja poziomu wody będzie działać tylko wtedy, gdy warunki te są spełnione.

7.1.2 Poziom wody (strona główna)

Czujnik poziomu wody (pomiar poziomu)

Określa typ czujnika w systemie. Zależy to od konfiguracji systemu. W przypadku zwykłego pływak należy wybrać opcję „pływak”, a jeśli zainstalowano czujnik poziomu wody 3, należy wybrać opcję „WLS 3”.

- Pływak
- WLS 3 (**w konfiguracji WLS 3 zawsze wybieraj port Modbus 1**)

Regulacja poziomu wody

Określa, co steruje regulacją, na przykład napełnianie (filling) lub opróżnianie (drain). (napełnianie i **opróżnianie** wymaga przekaźnika pomocniczego do realizacji funkcji spustowej).

- Napełnianie
- Opróżnianie
- Napełnianie i opróżnianie

UWAGA: W trybie opróżniania styk elektromagnesu **NIE** przełączany do funkcji opróżniania. Ma to **jednak** miejsce w przypadku dozowania wyłącznie pH+ (styk pH- zostanie wtedy aktywowany, gdy pH będzie zbyt niskie).

Tryb poziomu wody

Określa metodę regulacji.

- Histereza zapewnia, że regulacja zatrzymuje się dopiero po osiągnięciu wartości zadanej
- PID Auto reguluje ogrzewanie z czasem przerwy (czas stały) i czasem włączenia (regulowany). Im większa jest różnica między wartością zmierzoną a wartością zadaną, tym dłuższy będzie czas włączenia.
- Tryb Time utrzymuje stały czas przerwy i czas włączenia, dopóki nie zostanie osiągnięta wartość zadana.

Konfiguracja WLS 3

Otwiera ustawienia specyficzne dla czujnika WLS3, obecnie tylko wybór portu. **(Zawsze wybieraj port 1)**

Ustawienia wyłączenia poziomu wody

Na tym ekranie można określić, kiedy regulacja poziomu wody **nie** powinna się włączać. Są to blokady bezpieczeństwa i blokady operacyjne.

Blokady poziomu

- **Wyłącz zbyt wysoki**
Blokuje regulację przy zbyt wysokim poziomie.
- **Wyłącz przy wysokim poziomie**
Blokuje regulację przy górnej granicy „wyłączonej”.
- **Wyłącz przy niskim poziomie**
Blokuje regulację przy dolnej granicy wyłączenia.
- **Wyłącz przy zbyt niskim poziomie**
Blokuje regulację przy zbyt niskim poziomie.

Blokady związane z przepływem

- **Wyłącz przy czujniku przepływu**
Włącza logikę blokady opartą na czujniku przepływu.
- **Wyłącz czujnik braku przepływu**
Blokuje regulację przy warunku przepływu zgodnie z ustawioną logiką.

Blokady związane z pokładem

- **Wyłącz przy zamkniętym pokładzie**
Blokuje regulację, gdy pokład jest zamknięty.
- **Wyłącz przy otwartym pokładzie**
Blokuje regulację, gdy pokrywa jest otwarta.

Blokady związane z pompą/ciśnieniem

- **Wyłącz przy sterowaniu pompą**
Blokuje sterowanie na podstawie sterowania pompą/stanu pompy.

W praktyce:

Używaj tylko blokad, które są funkcjonalnie niezbędne w Twojej konfiguracji hydraulicznej. Zbyt wiele aktywnych blokad jednocześnie często powoduje zachowanie typu „dlaczego się nie napełnia?”.

Czas poziomu wody

- Otwiera ustawienia czasowe (opóźnienie włączenia, opóźnienie wyłączenia i okna czasowe PID, jeśli dotyczy).
- **Czas aktywacji (tylko w trybie TIME)**
Czas, przez który regulacja może być aktywna w każdym cyklu (np. 300 s).
- **Czas wyłączenia (tylko w trybie TIME)**
Czas oczekiwania/przerwa między dwoma momentami włączenia (np. 0 m).
- **PID min time (tylko w trybie PID Auto)**
Minimalny limit czasowy dla sterowania PID (jeśli używany jest tryb PID).
- **PID max time (tylko w trybie PID Auto)**
Maksymalny limit czasowy dla sterowania PID (jeśli używany jest tryb PID).

Ważne:

Jeśli tryb poziomu wody jest ustawiony na **Hysteresis**, czasy PID zazwyczaj nie mają decydującego znaczenia dla regulacji. Używaj PID min/max tylko wtedy, gdy wybrany tryb regulacji faktycznie wykorzystuje te wartości.

8. Zapobieganie zakłóceniom i testy uziemienia

- Zawsze należy przeprowadzać testy wyrównania potencjałów
- Mierzyć prądy upływowe za pomocą wyłącznika różnicowoprądowego (RCD) (< 30 mA)
- Sprawdź ciągłość uziemienia
- Nie umieszczaj w tym samym systemie elementów o różnych strukturach uziemienia

9. Dane techniczne

- Czujnik: piezorezystancyjny czujnik ciśnienia
- Zasilanie: 24 VDC
- Dokładność: < 1 mm
- Długości kabli: 30 / 50 / 100 m
- Stopień ochrony: IP68
- Zakres temperatur: 0 – 50 °C

10. Warunki gwarancji

Niniejsze warunki gwarancji nie naruszają praw konsumenta wynikających z obowiązujących przepisów krajowych dotyczących sprzedaży konsumenckiej, opartych na dyrektywie (UE) 2019/771.

Konsument ma prawo do produktu zgodnego z umową („zgodność”). Jeśli produkt nie jest zgodny z umową, konsument ma prawo do bezpłatnej naprawy lub wymiany, a jeśli nie jest to możliwe – do obniżenia ceny lub rozwiązania umowy, zgodnie z przepisami prawa.

Niniejsza gwarancja handlowa zapewnia dodatkowe prawa i warunki, opisane poniżej.

10.1 Okres gwarancji (gwarancja handlowa)

- Standardowa gwarancja: 3 lata od daty dostawy
- Terminy te nie mają wpływu na ustawowy okres zgodności.

10.2 Warunki skorzystania z gwarancji handlowej

Gwarancja handlowa ma zastosowanie wyłącznie, jeśli:

29. Produkt został zakupiony u autoryzowanego sprzedawcy;
30. Przedłożono ważny i czytelny dowód zakupu (z datą, modelem i sprzedawcą);
31. Produkt został zainstalowany zgodnie z instrukcją, najlepiej przez autoryzowanego instalatora;
32. Produkt był używany prawidłowo, zgodnie z instrukcją obsługi i przeznaczeniem;
33. Można wykazać, że przeprowadzono okresowe przeglądy;
34. Numer seryjny i tabliczka znamionowa są nienaruszone i czytelne;
35. Naprawy zostały przeprowadzone wyłącznie przez firmę NORSUP lub autoryzowanego partnera serwisowego.

10.3 Zakres gwarancji handlowej

Jeśli wada jest objęta niniejszą gwarancją, firma NORSUP, według własnego uznania:

- bezpłatnie naprawi produkt lub część, lub
- wymieni produkt lub część na równoważny egzemplarz.

Gwarancja nie obejmuje prawa do zwrotu kosztów, sprzętu zastępczego ani żadnej formy odszkodowania, z wyjątkiem przypadków wymaganych przez prawo.

10.4 Wyłączenia z gwarancji handlowej

Gwarancja handlowa nie ma zastosowania w następujących przypadkach:

Normalne zużycie i części eksploatacyjne

- Uszczelki, pierścienie O-ringowe i uszczelki
- Elektrody i części o ograniczonej trwałości
- Części podlegające normalnemu zużyciu

Niewłaściwe użytkowanie lub konserwacja

- Użytkowanie niezgodne z instrukcją obsługi
- Niewłaściwa lub opóźniona konserwacja
- Niewłaściwa jakość wody (np. pH, zawartość soli, twardość poza specyfikacją)
- Osady wapienne, korozja lub zanieczyszczenia

Instalacja i czynniki zewnętrzne

- Nieprawidłowa instalacja lub podłączenie
- Uszkodzenia spowodowane mrozem, wysoką temperaturą, wilgocią lub niewystarczającą wentylacją
- Wpływy elektryczne (przebieżenie, uderzenie pioruna, nieprawidłowe podłączenie)
- Uszkodzenia chemiczne spowodowane substancjami zewnętrznymi

Modyfikacje i nieoryginalne części

- Użycie nieoryginalnych części
- Modyfikacje produktu
- Naprawy wykonywane przez nieautoryzowane osoby trzecie

Inne wyłączenia

- Uszkodzenia estetyczne, które nie wpływają na działanie
- Uszkodzenia powstałe podczas transportu lub przechowywania po dostawie
- Problemy z oprogramowaniem spowodowane przez systemy zewnętrzne lub nieprawidłową konfigurację (bez uszczerbku dla praw wynikających z dyrektywy (UE) 2019/770)

10.5 Koszty i postanowienia dodatkowe

O ile bezwzględnie obowiązujące przepisy prawa nie stanowią inaczej:

- Koszty robocizny, koszty dojazdu, koszty transportu oraz koszty demontażu/montażu są objęte gwarancją (o ile spełnione są warunki);
- Gwarancja dotyczy wyłącznie użytku prywatnego; w przypadku użytku profesjonalnego może obowiązywać krótszy termin;
- Gwarancja nie podlega przeniesieniu bez pisemnej zgody.

10.6 Ograniczenie odpowiedzialności

W zakresie dozwolonym przez prawo odpowiedzialność firmy NORSUP ogranicza się do zobowiązań opisanych w niniejszej gwarancji. NORSUP nie ponosi odpowiedzialności za:

- szkody pośrednie lub wynikowe;
- utratę dochodów, zysków lub możliwości użytkowania;
- szkody wynikające z przestoju produktu;
- szkody w innych systemach lub mieniu.

Ograniczenie to nie ma zastosowania w przypadku umyślnego działania, rażącego zaniedbania lub gdy odpowiedzialność nie może zostać wyłączona na mocy prawa.

10.7 Procedura w przypadku roszczeń gwarancyjnych

Aby zgłosić roszczenie, konsument powinien:

17. Skontaktować się ze sprzedawcą lub autoryzowanym instalatorem;
18. przedstawić dowód zakupu;
19. przedstawić jasny opis usterki;
20. Na żądanie udostępnić produkt do kontroli.

Postanowienie końcowe

Jeśli którekolwiek z postanowień niniejszej gwarancji okaże się nieważne lub niewykonalne, pozostałe postanowienia pozostają w mocy. Niniejsza gwarancja podlega prawu kraju, w którym dokonano zakupu, z uwzględnieniem bezwzględnie obowiązujących przepisów europejskiego prawa konsumenckiego.

Vattennivåsensor 3 (WLS 3)

Bruksanvisning



www.norsup.eu



1. Inledning

Vattennivåsensor 3 (WLS 3) är en precis nivåsensor utvecklad för automatisk vattenpåfyllning och täckningsskydd i kombination med NorsupOneV3. Sensorn är utrustad med ett piezoresistivt element som omvandlar vattentrycket till en mätbar signal utan rörliga delar.

2. Användning och funktioner

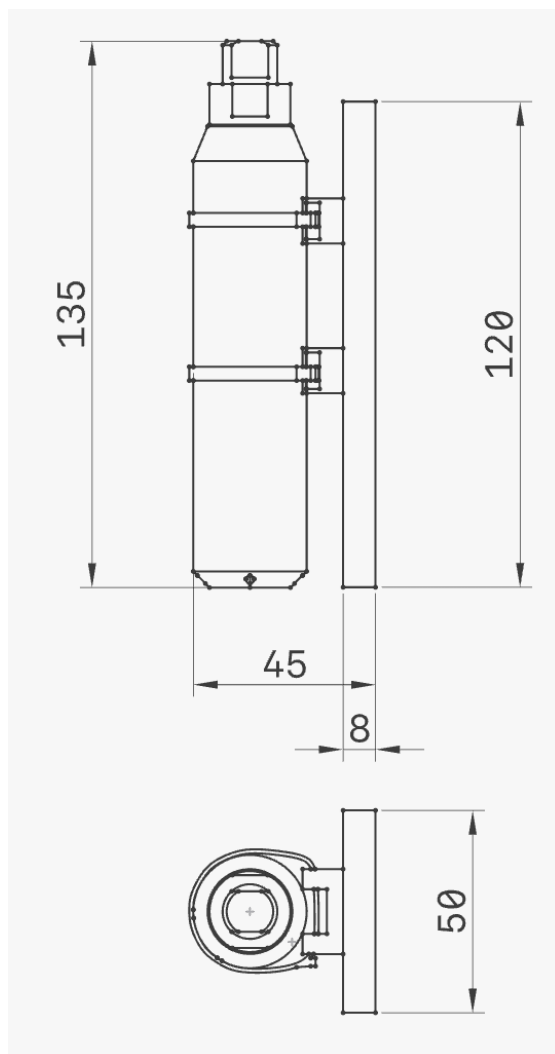
- Automatisk påfyllning av poolvatten
- Nivåövervakning för täckningssäkerhet
- Signalbehandling med hög upplösning
- Kan integreras med NorsupOneV3
- Skydd mot för låg eller för hög vattennivå
- Automatisk backspolning (i kombination med Autovalve)

Nivåstatus:

- För hög → täckning blockerad, tillförsel avstängd, + automatisk backspolning (i kombination med Autovalve)
- Hög → täckning aktiv, tillförsel avstängd
- OK → referensnivå (nollinje)
- Låg → tillförsel aktiv
- För låg → täckning blockerad, tillförsel aktiv

3. Säkerhetsanvisningar

- Installation och underhåll får endast utföras av kvalificerad personal
- Stäng alltid av strömmen före installation eller inspektion
- Hantera sensorn försiktigt och undvik skador på kabeln
- Använd originaldelar och följ denna bruksanvisning noggrant
- Låt aldrig den gula ledningen (skärmen) hänga löst eller vara felaktigt ansluten
- Stick aldrig in något genom sensorns skyddskåpa. Detta kommer att skada sensorn irreparabelt.
- Skruva aldrig loss skyddskåpan utan tillstånd från tekniskt kvalificerad personal
- Följ alltid anvisningarna för den enhet som produkten ska integreras med.



4. Installation

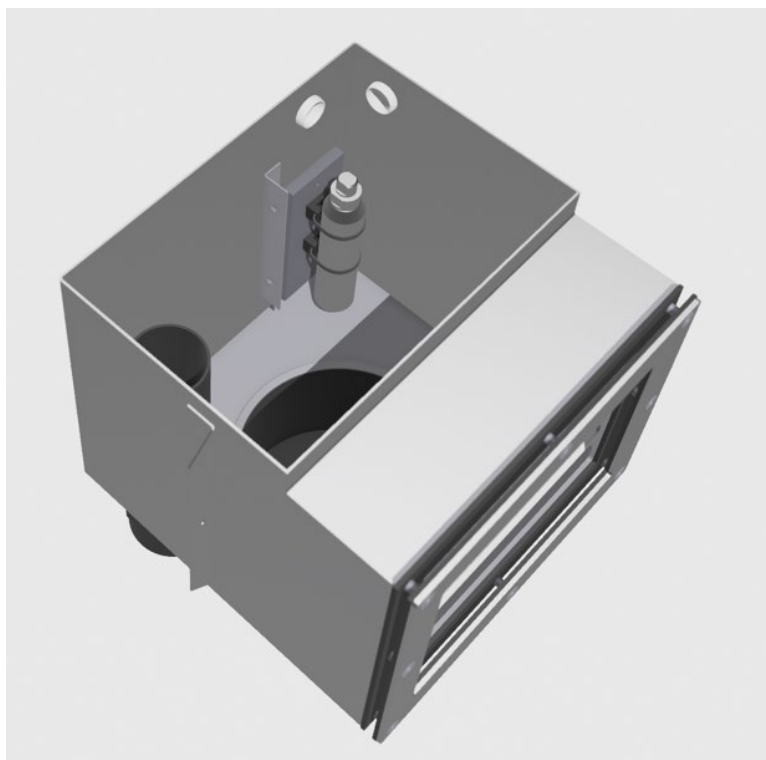
4.1 Avluftning

- Håll sensorn upp och ner under vatten för att avlufta
- Skaka lätt för att släppa ut luftbubblor

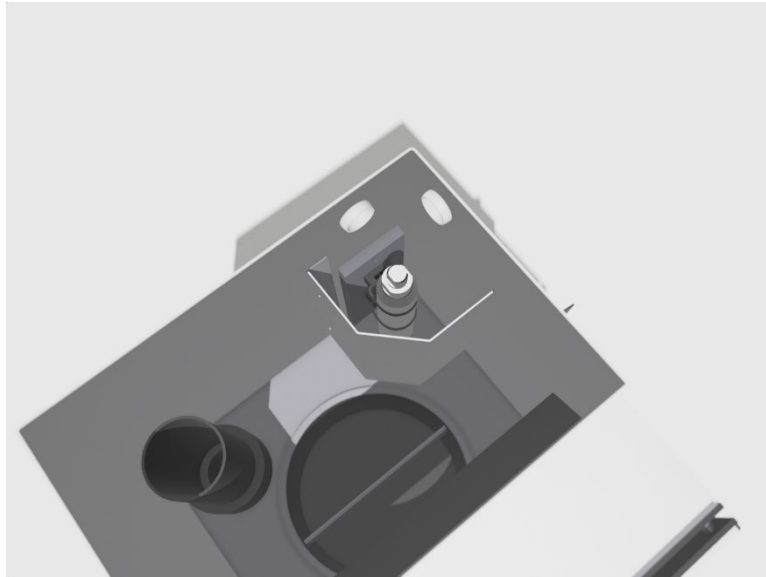


4.2 Montering i rostfritt stål

WLS 3 kan placeras i skummaren av rostfritt stål bakom skyddsplattan/dämpningsplattan med hjälp av PVC-monteringsplattan



- Demontera dämpningsplattan för att få tillgång till monteringsplatsen. Montera PVC-plattan där och skruva fast kabelbindarhållarna med rostfria skruvar



Höjden spelar ingen roll. Sensorn kan kalibreras till valfri vattennivå och kommer att behålla den som nollstreck.

Sensorn måste minst 3 cm under vattenytan, mätt från undersidan. (i vår utbildning av Joery står det 10 cm totalt?)

4.3 Kabelgenomföring

- För kabeln genom en skyddad genomföringshylsa
- Undvik skarpa böjar eller knäckar
- Avluftningsröret i kabeln får inte stängas eller limmas

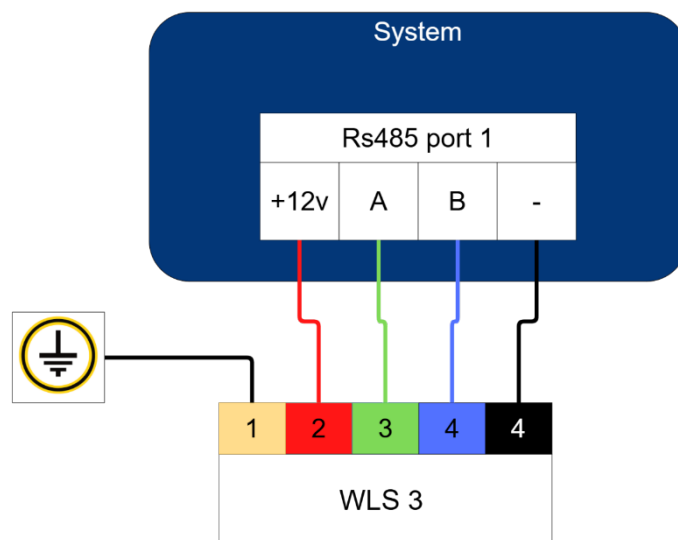
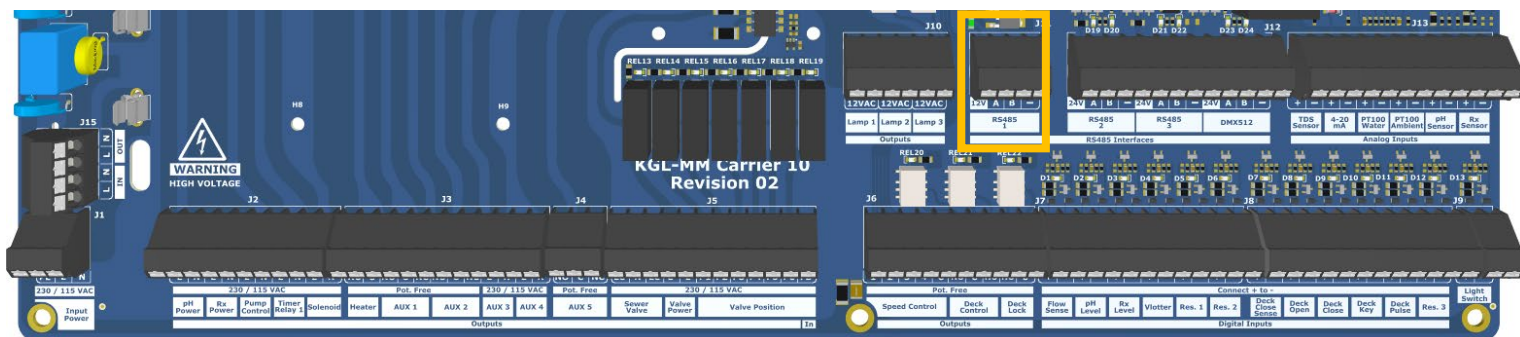
5. Elektrisk anslutning

5.1 Färgkodning

- Grön/Blå = Signal
- Svart = GND
- Röd = 24 VDC
- Gul = Skärm (se kapitel 6)

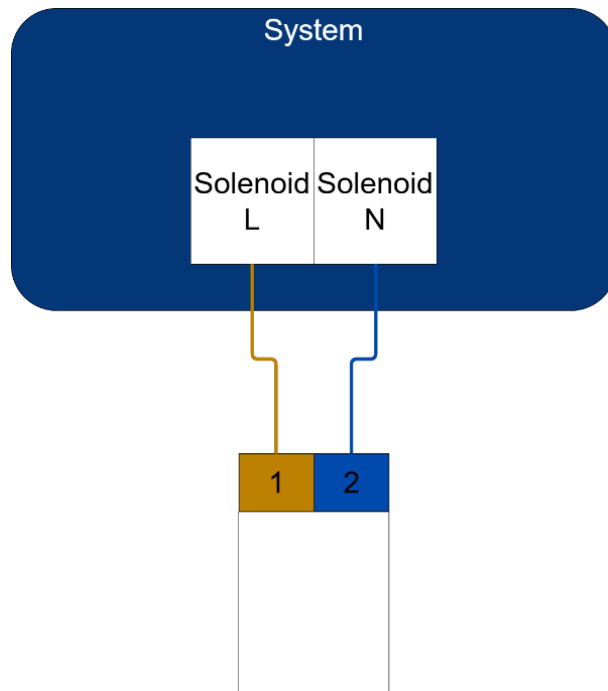
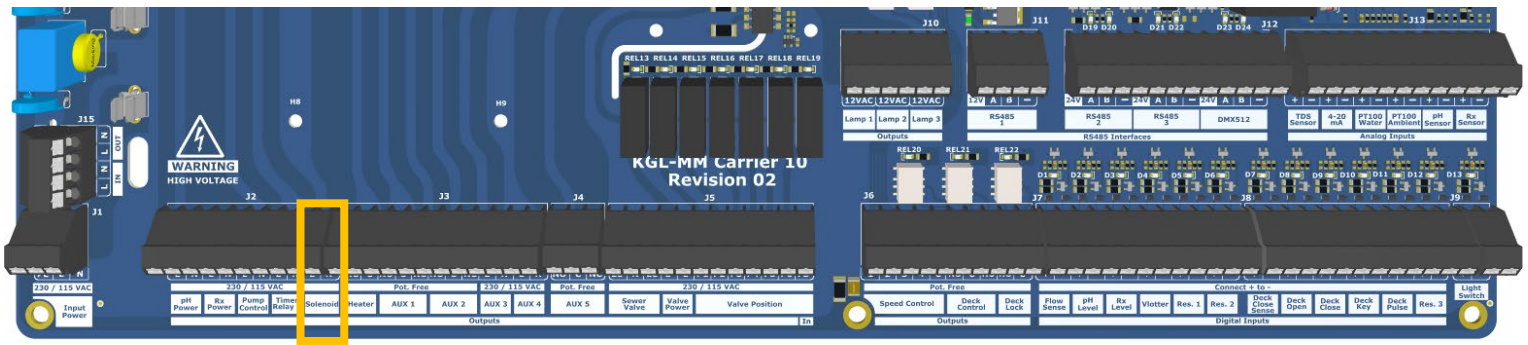
5.2 Anslutning av WLS 3

- Koppla bort strömmen från NorsupOneV3
- Anslut ska alltid anslutas till Rs485-port 1
- **OBSERVERA!:**
 - Anslut WL-A till B
 - Anslut WL-B till A



5.3 Anslutning av påfyllningsventil/solenoid

Påfyllningsventilens/solenoidventilens utgång kopplar **230 VAC**.



6. Jordning och potentialutjämning

Läs hela forskningsrapporten "Effektiv jordning av simbassänger" och se till att du har fullständig förståelse för detta ämne. Vid tveksamheter, konsultera en behörig elektriker.

WLS 3 måste jordas korrekt för att undvika mätfel, sensorfel och galvanisk korrosion. Följande strategi baseras på praktisk erfarenhet, internationella standarder (IEC/EN 61558 och IEC/EN 61000) och innehåller nu även en förklaring av kraven i NEN 1010.

6.1 Standardstrategi – Separat jordspett

Använd en separat neddriven jordspett som central jordpunkt.

Anslut följande till denna:

- Gul skärmtråd (shield) från WLS 3
- Rostfria komponenter såsom trappa, skimmer, rör
- Höljet/jordningen på NorsupOneV3

Eventuellt: motströmsmaskiner eller värmepumpar, förutsatt att detta tillåts av tillverkaren

Se till att det finns en stjärnkonfiguration och en bra potentialutjämningsbrygga. Kontrollera med en multimeter att spänningsskillnaden mellan metalldelar är <10 mV och motståndet <0,5 ohm.

6.2 Alternativ – NEN 1010-situation

Om användning av en separat jordspett inte är tillåten enligt NEN 1010 (t.ex. på grund av försäkringskrav):

- Anslut då alla metalldelar, WLS 3 och styrsystemet till husjordningen
- Undvik alltid ett blandat system (dvs. inte delvis jordspett och delvis husjord)
- Om en separat jordspett ändå har installerats, anslut den elektriskt till huvudjordskenan i bostaden (enligt NEN 1010 art. 542.1.2)
- Observera: fördelarna med galvanisk isolering går delvis förlorade, men systemet uppfyller då normen.

6.3 Kontrollvärden

- Motstånd mellan sensor och jordpunkt: < 1 ohm
- Motstånd mellan metallkomponenter och potentialbro: < 0,5 ohm
- Spänningsskillnad mellan metallkomponenter: < 10 mV
- Jordspett: spridningsmotstånd < 30 ohm (helst < 10 ohm)

6.4 Ansvar

- Jordning och potentialutjämning är installatörens ansvar.
- Vid tveksamheter: kontakta en certifierad elektriker.
- Norsup har sammanställt denna bruksanvisning som en vägledning, men kan inte hållas ansvarigt för skador orsakade av felaktig installation.

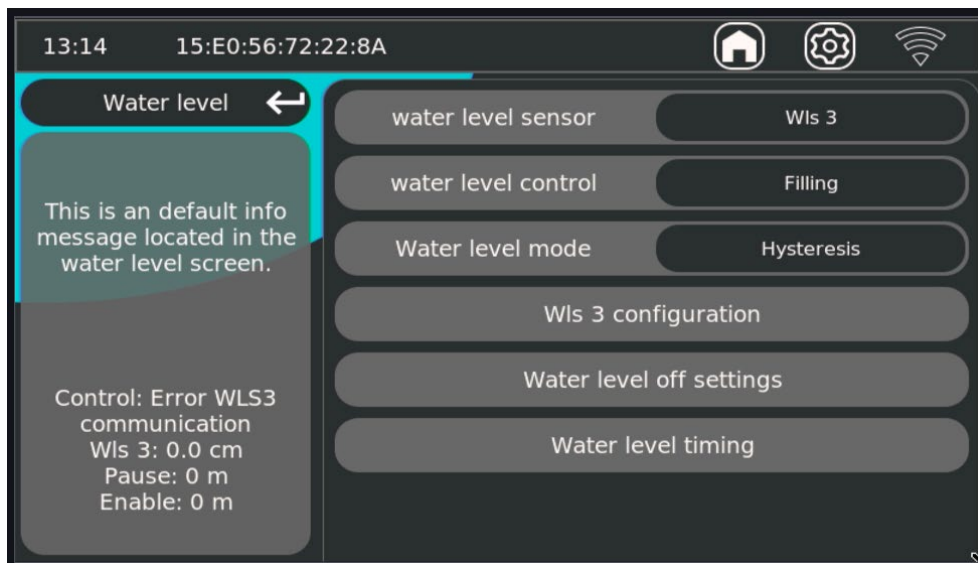
Tips: Utför alltid en kontinuitetsmätning och en läckströmstest (via RCD) efter installationen.

7. Systemkonfiguration

7.1 Kalibrering

I menyn **Vattennivå** hanterar du hela styrningen för automatisk påfyllning/avstängning baserat på nivåmätning.

Denna meny avgör **vilken sensor som används, vilken regleringsmetod som är aktiv, när regleringen blockeras och med vilken timing regleringen kopplar.**



7.1.1 Säkerhet och ansvar (Vattennivå)

OBS – Vattennivå är en funktionell reglering, inte en primär överflödesskydd

Vattennivåregleringen hjälper till att automatiskt hantera nivån, men ersätter inte obligatoriska konstruktionsmässiga eller hydrauliska säkerhetsanordningar (såsom överflöde, avloppsskydd, backventil).

OBS – Felaktiga blockeringsinställningar kan orsaka oönskad fyllning eller tvärtom ingen fyllning alls

Alternativen i **Inställningar för vattennivå av** kan avsiktligt stänga av regleringen. Felaktiga kombinationer kan leda till:

- att fyllningen avbryts för tidigt;
- ingen påfyllning alls;
- påfyllning vid felaktiga tidpunkter.

OBS – Sensors tillförlitlighet är en förutsättning

Vid kommunikations- eller mätfel (som visas i status: *Error WLS3 communication*) kan regleringen inte fungera korrekt. Kontrollera kabeldragning, sensorkonfiguration, strömförsörjning och störningskällor.

OBS – Kopplingar till flöde/pump/däck påverkar beteendet direkt

När spärrar för flöde, pumpstatus eller däckposition är aktiverade fungerar vattennivåregleringen endast om dessa villkor är uppfyllda.

7.1.2 Vattennivå (huvudsida)

Vattennivåsensor (nivåmätning)

Bestämmer systemets sensortyp. Detta beror på systemets konfiguration. Vid en vanlig flottör väljer du flottör och när en vattennivåsensor 3 är installerad väljer du WLS 3.

- Flottör
- WLS 3 (**välj alltid Modbus-port 1 vid WLS 3-konfiguration**)

Vattennivåreglering

Bestämmer vad styrningen styr, till exempel fyllning eller tömning. (påfyllning och tömning kräver ett hjälprelä för att dräneringsfunktionen ska fungera.

- Fyllning
- Tömning
- Fyllning och tömning

OBS: I dräneringsläge är solenoidkontakten **INTE** används för tömningsfunktionen. Detta gäller **DOCK** vid dosering endast för pH+ (pH-kontakten aktiveras då när pH-värdet är för lågt).

Vattennivåläge

Bestämmer reglermetoden.

- Hysteres säkerställer att regleringen först avslutas när önskat värde har uppnåtts
- PID Auto reglerar uppvärmningen med en paus (fast tid) och en aktiveringstid (reglerad). Ju längre det uppmätta värdet ligger från det önskade värdet, desto längre blir påslagstiden.
- Time håller en fast paus- och påslagstid så länge det önskade värdet inte har uppnåtts.

WLS 3-konfiguration

Öppnar sensorspecifika inställningar för WLS3, för närvarande endast portval. **(Välj alltid port 1)**

Inställningar för vattennivå av

I detta fönster definierar du när vattennivåregleringen **inte** får koppla om. Detta är säkerhets- och driftsspärrar.

Nivåspärrar

- **Inaktivera för hög**
Spärrar regleringen vid för hög nivå.
- **Inaktivera vid hög nivå**
Spärrar regleringen vid den övre "off"-gränsen.
- **Inaktivera vid låg avstängning**
Blockerar regleringen vid den låga "off"-gränsen.
- **Inaktivera för låg**
Blockerar reglering vid för låg nivå.

Flödesrelaterade blockeringar

- **Inaktivera med flödessensor**
Aktiverar blockeringslogik baserad på flödesgivare.
- **Inaktivera utan flödesgivare**
Blockerar regleringen vid flödesförhållanden enligt inställd logik.

Däckrelaterade blockeringar

- **Inaktivera vid stängt däck**
Blockerar styrningen när däcket är stängt.
- **Inaktivera vid öppet däck**
Blockerar styrningen när däcket är öppet.

Pump-/tryckrelaterade spärrar

- **Inaktivera vid pumpstyrning**
Spärrar styrningen baserat på pumpstyrning/status.

Praktiskt:

Använd endast blockeringar som är funktionellt nödvändiga i din hydrauliska konstruktion. För många aktiva blockeringar samtidigt leder ofta till att man undrar "varför fylls den inte?".

Vattennivå-timing

- Öppnar tidsinställningar (inkopplingsfördröjning, utkopplingsfördröjning och PID-tidsfönster om tillämpligt).
- **Aktiveringstid (endast i läge TIME)**
Tid som regleringen får vara aktiv per cykel (t.ex. 300 s).
- **Inaktiveringstid (endast i läge TIME)**
Väntetid/paus mellan två aktiveringsögonblick (t.ex. 0 m).
- **PID min time (endast i läge PID Auto)**
Minsta tidsgräns för PID-styrning (om PID-läge används).
- **PID max time (endast i läget PID Auto)**
Maximal tidsgräns för PID-styrning (om PID-läge används).

Viktigt:

Om vattennivåläget är inställt på **Hysteresis**, är PID-tiderna vanligtvis inte avgörande för regleringen. Använd endast PID min/max när det valda regleringsläget faktiskt utnyttjar dessa värden.

8. Felförebyggande och jordningstester

- Utför alltid jordfelskontroller
- Mät läckströmmar via RCD (< 30 mA)
- Kontrollera jordningens kontinuitet
- Placera inte komponenter med olika jordningsstrukturer i samma system

9. Tekniska specifikationer

- Sensor: piezoresistiv trycksensor
- Strömförsörjning: 24 VDC
- Noggrannhet: < 1 mm
- Kabellängder: 30 / 50 / 100 m
- Skyddsklass: IP68
- Temperaturområde: 0 – 50 °C

10. Garanti

Dessa garantivillkor påverkar inte konsumentens lagstadgade rättigheter enligt tillämplig nationell lagstiftning om konsumentköp, baserad på direktiv (EU) 2019/771.

Konsumenten har rätt till en produkt som överensstämmer med avtalet ("överensstämmelse"). Om produkten inte överensstämmer har konsumenten rätt till kostnadsfri reparation eller utbyte, och – om detta inte är möjligt – till prisavdrag eller hävning av avtalet, i enlighet med lagstadgade bestämmelser.

Denna kommersiella garanti erbjuder ytterligare rättigheter och villkor, såsom beskrivs nedan.

10.1 Garantitid (kommersiell garanti)

- Standardgaranti: 3 år från leveransdatum
- Dessa tidsfrister påverkar inte den lagstadgade överensstämmelseperioden.

10.2 Villkor för att åberopa den kommersiella garantin

Den kommersiella garantin gäller endast om:

36. Produkten har köpts via en auktoriserad återförsäljare;
37. Ett giltigt och läsbart inköpsbevis uppvisas (med datum, modell och säljare);
38. Produkten har installerats enligt anvisningarna, helst av en auktoriserad installatör;
39. Produkten har använts korrekt i enlighet med bruksanvisningen och det avsedda användningsområdet;
40. Det kan visas att regelbundet underhåll har utförts;
41. Serienumret och typskylten är intakta och läsbara;
42. Reparationer har uteslutande utförts av NORSUP eller en auktoriserad servicepartner.

10.3 Omfattning av den kommersiella garantin

Om ett fel omfattas av denna garanti kommer NORSUP, efter eget val, att:

- reparera produkten eller delen kostnadsfritt, eller
- byta ut produkten eller delen mot en likvärdig produkt.

Garantin omfattar inte rätt till återbetalning, ersättningsutrustning eller någon form av skadestånd, såvida inte detta är lagstadgat.

10.4 Undantag från den kommersiella garantin

Den kommersiella garantin gäller inte i följande fall:

Normalt slitage och förbrukningsdelar

- Tätningar, O-ringar och packningar
- Elektroder och delar med begränsad livslängd
- Delar som utsätts för normalt slitage

Felaktig användning eller underhåll

- Användning som strider mot bruksanvisningen
- Bristfälligt eller försenat underhåll
- Felaktig vattenkvalitet (t.ex. pH, salthalt, hårdhet utanför specifikationerna)
- Kalkavlagringar, korrosion eller föroreningar

Installation och yttre faktorer

- Felaktig installation eller anslutning
- Skador orsakade av frost, värme, fukt eller otillräcklig ventilation
- Elektriska påverkan (överspänning, blixtnedslag, felaktig anslutning)
- Kemisk skada orsakad av yttre ämnen

Ändringar och icke-originaldelar

- Användning av icke-originaldelar
- Anpassningar av produkten
- Reparationer utförda av icke auktoriserade tredje parter

Övriga undantag

- Kosmetiska skador som inte påverkar funktionen
- Transport- eller lagringskadorna efter leverans
- Programvaruproblem orsakade av externa system eller felaktig konfiguration (utan att det påverkar rättigheterna enligt direktiv (EU) 2019/770)

10.5 Kostnader och kompletterande bestämmelser

Om inte tvingande lagstiftning föreskriver annat:

- Arbetskostnader, utryckningskostnader, transportkostnader och demonterings-/monteringskostnader omfattas av garantin (om villkoren är uppfyllda);
- Garantin gäller endast för privat bruk; vid professionellt bruk kan en kortare giltighetstid gälla;
- Garantin är inte överlåtbar utan skriftligt medgivande.

10.6 Ansvarsbegränsning

I den utsträckning som lagen tillåter är NORSUP:s ansvar begränsat till de skyldigheter som beskrivs i denna garanti. NORSUP ansvarar inte för:

- indirekta skador eller följdskador;
- förlust av intäkter, vinst eller användning;
- skada till följd av driftstopp av produkten;
- skada på andra system eller egendom.

Denna begränsning gäller inte vid uppsåt, grov vårdslöshet eller när ansvar inte kan uteslutas enligt lag.

10.7 Förfarande vid garantianspråk

För att lämna in ett anspråk ska konsumenten:

21. kontakta säljaren eller en auktoriserad installatör;
22. Uppvisa inköpsbeviset;
23. Lämna en tydlig beskrivning av felet;
24. På begäran ställa produkten till förfogande för inspektion.

Slutbestämmelse

Om någon bestämmelse i denna garanti visar sig vara ogiltig eller icke verkställbar, förblir övriga bestämmelser fullt giltiga. Denna garanti omfattas av lagstiftningen i det land där produkten köpts, med beaktande av tvingande europeisk konsumentlagstiftning.

Vandstandssensor 3 (WLS 3)

Brugsanvisning



www.norsup.eu



1. Indledning

Vandstandssensor 3 (WLS 3) er en præcis niveausensor udviklet til automatisk vandpåfyldning og dækselsikring i kombination med NorsupOneV3. Sensoren er udstyret med et piezoresistivt element, der omdanner vandtrykket til et målbart signal uden bevægelige dele.

2. Anvendelse og funktioner

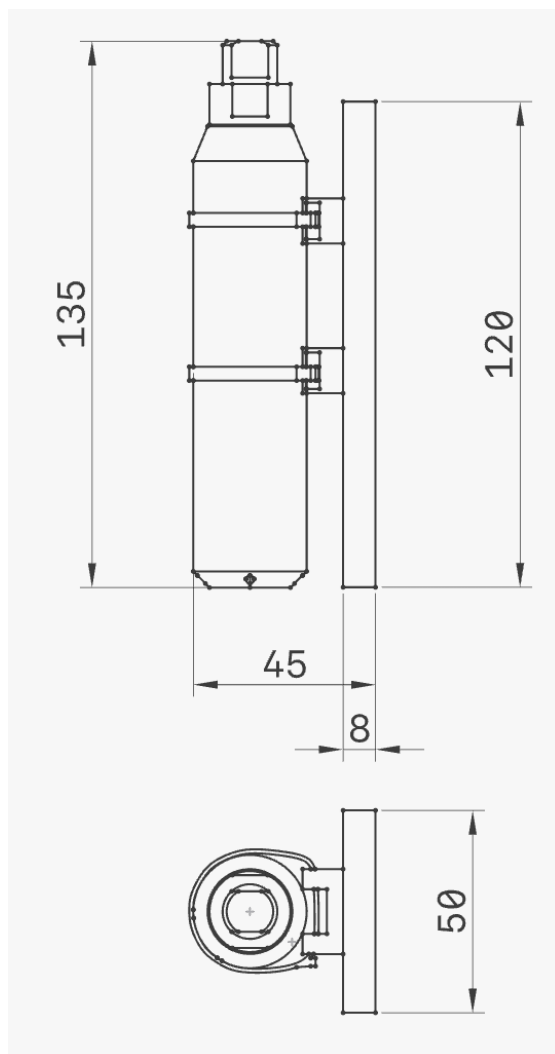
- Automatisk påfyldning af poolvand
- Niveauovervågning for sikkerhed af overdækning
- Signalbehandling med høj opløsning
- Kan integreres med NorsupOneV3
- Beskyttelse mod for lavt eller for højt vandniveau
- Automatisk backwash (i kombination med Autovalve)

Niveaustatus:

- For højt → dæksel blokeret, tilførsel slukket, + automatisk backwash (i kombination med Autovalve)
- Højt → afdækning aktiv, suppleringslukket
- OK → referencehøjde (nul-linje)
- Lav → tilførsel aktiv
- For lavt → afdækning blokeret, suppleringsaktiv

3. Sikkerhedsinstruktioner

- Installation og vedligeholdelse må kun udføres af kvalificeret personale
- Sluk altid for strømmen før installation eller inspektion
- Håndter sensoren forsigtigt og undgå beskadigelse af kablet
- Brug originale reservedele og følg denne vejledning nøje
- Lad aldrig den gule ledning (skærm) hænge løst eller være forkert tilsluttet
- Stik aldrig noget gennem sensorens beskyttelseskappe. Dette vil beskadige sensoren uopretteligt.
- Skru aldrig beskyttelseskappen af uden tilladelse fra teknisk kvalificeret personale
- Følg altid instruktionerne for det udstyr, som produktet skal integreres med.



4. Installation

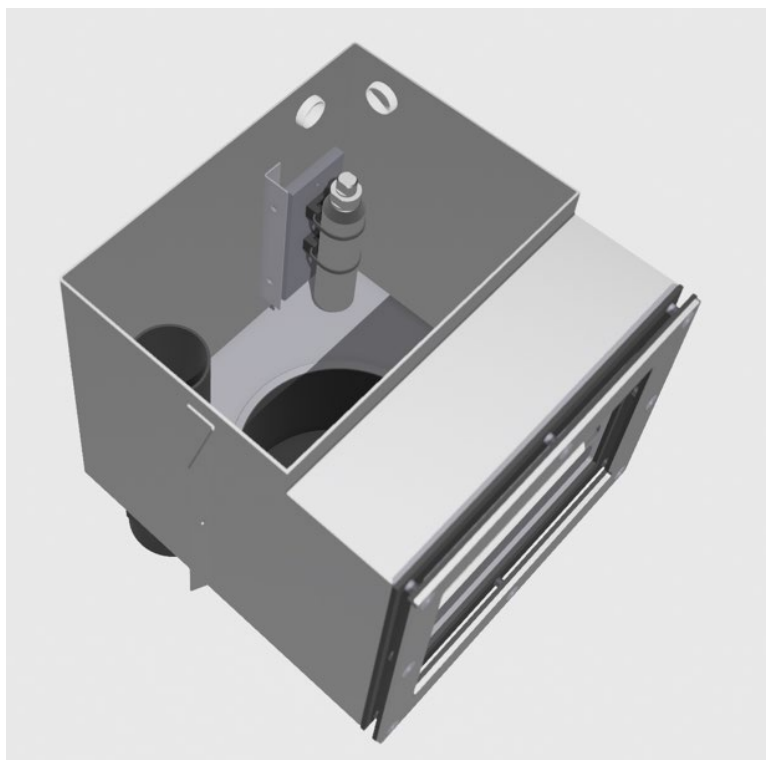
4.1 Udluftning

- Hold sensoren på hovedet under vand for at fjerne luft
- Ryst let for at få luftboblerne til at slippe ud

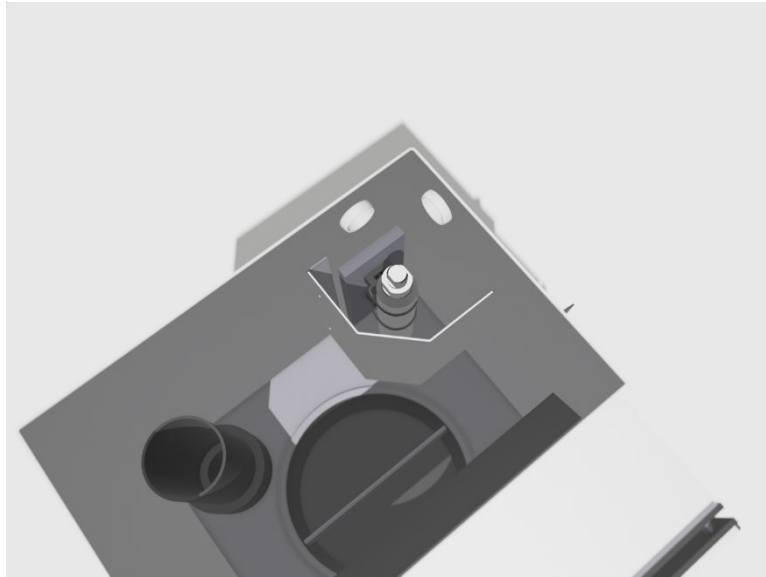


4.2 Montering i rustfrit stål

WLS 3 kan placeres i rustfrit stål-skimmeren bag beskyttelsespladen/dæmpningspladen ved hjælp af PVC-monteringspladen



- Afmonter dæmpningspladen for at få adgang til monteringsstedet. Monter PVC-pladen der, og skru kabelbindingsholderne fast med rustfri skruer



Højden spiller ingen rolle. Sensoren kan kalibreres til enhver ønsket vandhøjde og vil holde denne som nulpunkt. Sensoren skal være mindst 3 cm under vand, målt fra undersiden. (står der 10 cm i alt i vores træning fra Joery?)

4.3 Kabelindføring

- Før kablet gennem en beskyttet gennemføringsmuffe
- Undgå skarpe bøjninger eller knæk
- Udluftningsrøret i kablet må ikke lukkes eller limes

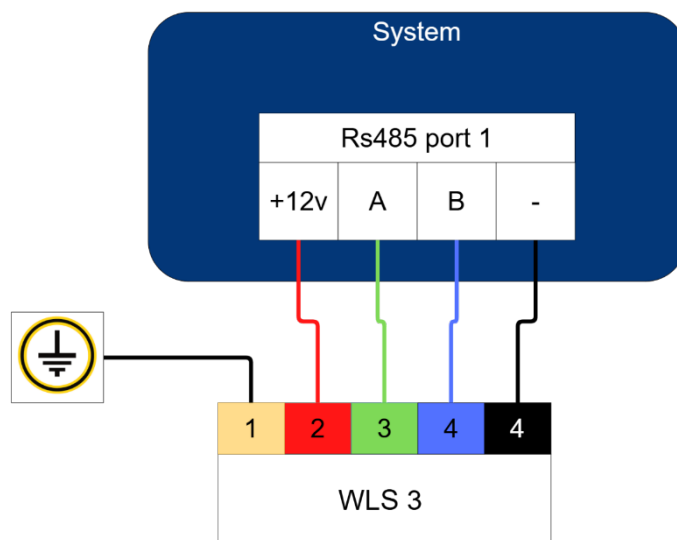
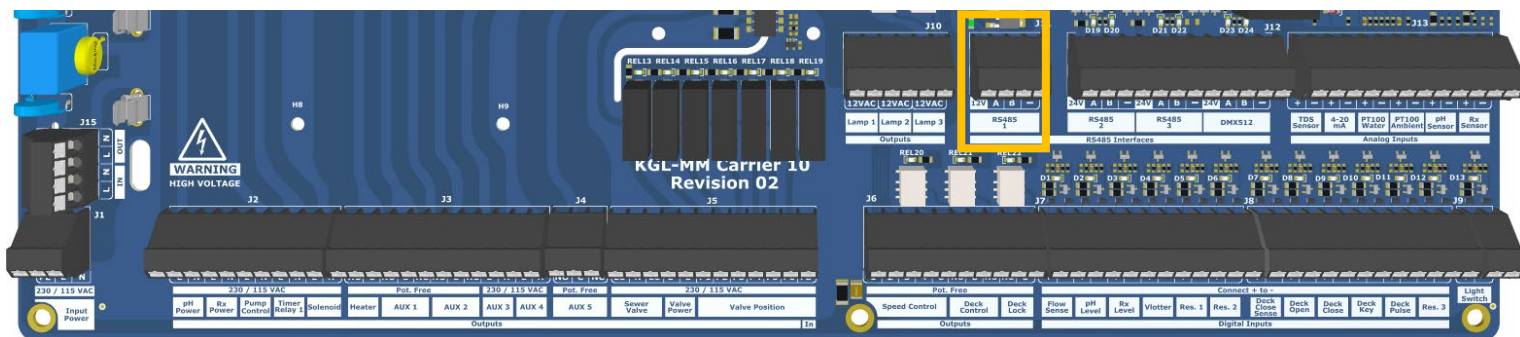
5. Elektrisk tilslutning

5.1 Farvekodning

- Grøn/Blå = Signal
- Sort = GND
- Rød = 24 VDC
- Gul = Afskærmning (se kapitel 6)

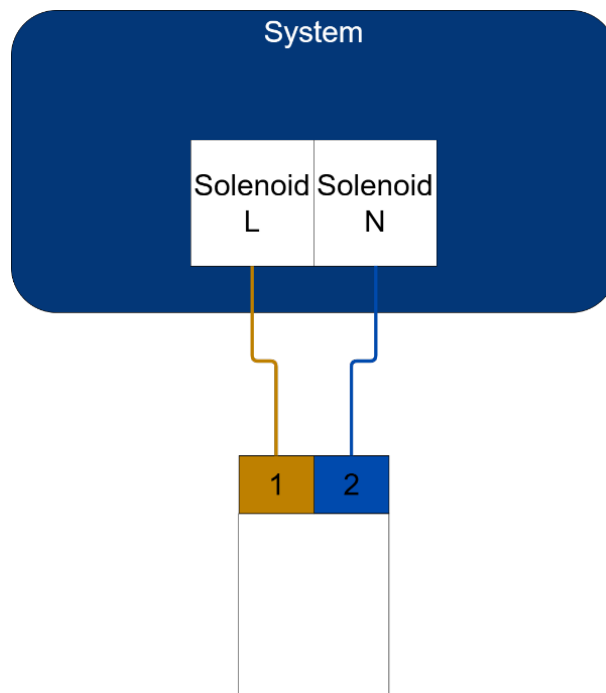
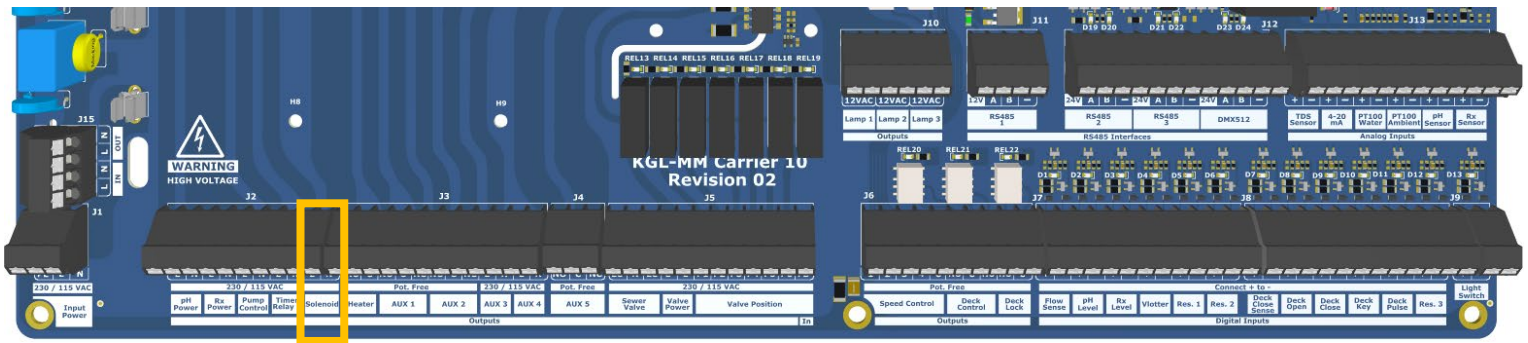
5.2 Tilslutning af WLS 3

- Sluk for strømmen til NorsupOneV3
- Kabel skal altid tilsluttes til Rs485-port 1
- **OBS!:**
 - Tilslut WL-A til B
 - Tilslut WL-B til A



5.3 Tilslutning af påfyldningsventil/magnetventil

Påfyldningsventilens/magnetventilens udgang kobler **230 VAC**.



6. Jordforbindelse og potentialudligning

Læs den fulde undersøgelsesrapport "Effektiv jordforbindelse til svømmebassiner" og sørg for at få et fuldt overblik over dette emne. I tvivlstilfælde skal du konsultere en autoriseret elektriker.

WLS 3 skal jordforbindes korrekt for at undgå målefejl, sensorfejl og galvanisk korrosion. Følgende strategi er baseret på praktisk erfaring, internationale standarder (IEC/EN 61558 og IEC/EN 61000) og indeholder nu også en forklaring på kravene i NEN 1010.

6.1 Standardstrategi – Separat jordspyd

Brug en separat nedgravet jordspyd som centralt jordpunkt.

Tilslut her:

- Gul afskærmningsledning (shield) fra WLS 3
- Rustfri komponenter såsom trappe, skimmer, rør
- Kabinet/jordforbindelse på NorsupOneV3

Eventuelt: modstrømsmaskiner eller varmepumper, forudsat at det er tilladt af producenten

Sørg for en stjernekonfiguration og en god potentialudligningsbro. Kontroller med et multimeter, at spændingsforskellen mellem metaldele er <10 mV, og modstanden <0,5 ohm.

6.2 Alternativ – NEN 1010-situation

Hvis brug af en separat jordspyd ikke er tilladt i henhold til NEN 1010 (f.eks. på grund af forsikringskrav):

- Forbind da alle metaldele, WLS 3 og reguleringssystemet med husjordforbindelsen
- Undgå altid et blandet system (dvs. ikke delvist jordspyd og delvist husjord)
- Hvis der alligevel er installeret en separat jordspyd, skal denne tilsluttes elektrisk til hovedjordskinnen i boligen (i overensstemmelse med NEN 1010 art. 542.1.2)
- Bemærk: Fordelene ved galvanisk isolation bortfalder herved delvist, men systemet er da i overensstemmelse med standarden.

6.3 Kontrolværdier

- Modstand mellem sensor og jordpunkt: < 1 ohm
- Modstand mellem metalkomponenter og potentialebro: < 0,5 ohm
- Spændingsforskel mellem metaldele: < 10 mV
- Jordspyd: spredningsmodstand < 30 ohm (helst < 10 ohm)

6.4 Ansvar

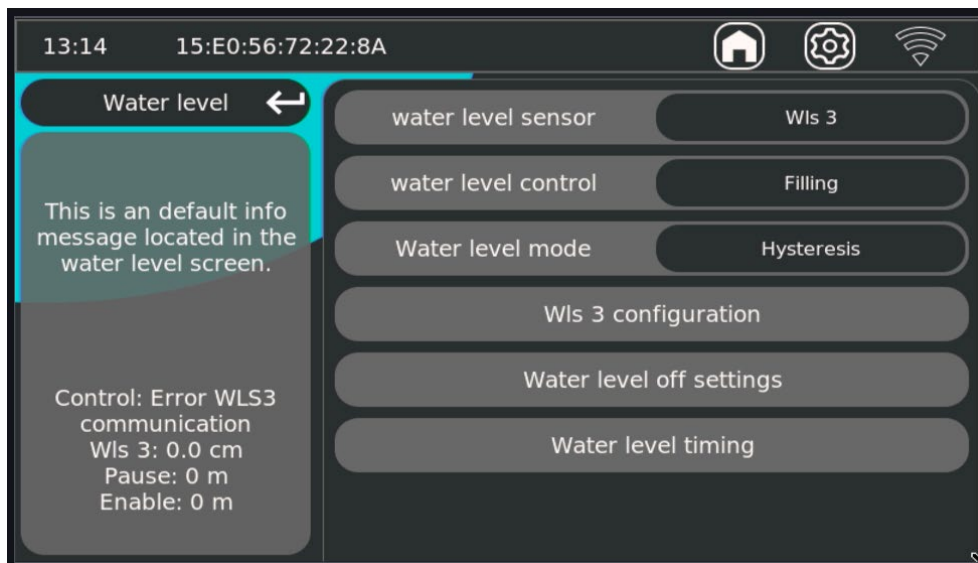
- Jordforbindelse og potentialudligning er installatørens ansvar.
- I tvivlstilfælde: kontakt en autoriseret elektriker.
- Norsup udarbejder denne vejledning som en retningslinje, men kan ikke påtage sig noget ansvar for skader som følge af forkert installation.

Tip: Udfør altid en kontinuitetsmåling og en fejlstrømstest (via RCD) efter installationen.

7. Systemkonfiguration

7.1 Kalibrering

I menuen **Vandstand** styrer du den komplette regulering for automatisk påfyldning/afbrydelse baseret på niveaumåling. Dette menu bestemmer, **hvilken sensor der bruges, hvilken reguleringsmetode der er aktiv, hvornår reguleringen blokeres**, og **med hvilken timing reguleringen skifter**.



7.1.1 Sikkerhed og ansvar (Vandstand)

OBS – Vandniveau er en funktional regulering, ikke en primær overløbsbeskyttelse

Vandstandsreguleringen hjælper med automatisk at styre niveauet, men erstatter ikke obligatoriske konstruktionsmæssige eller hydrauliske sikkerhedsforanstaltninger (såsom overløb, afløbssikring, tilbageslagsventil).

OBS – Forkerte blokeringsindstillinger kan forårsage uønsket fyldning eller netop ingen fyldning

Indstillingerne i **Indstillinger for vandniveau** kan bevidst deaktivere reguleringen. Forkerte kombinationer kan føre til:

- at fyldningen stopper for tidligt;
- slet ingen påfyldning;
- påfyldning på forkerte tidspunkter.

OBS – Sensorens pålidelighed er en forudsætning

Ved kommunikations- eller målefejl (som vist i status: *Error WLS3 communication*) kan reguleringen ikke fungere korrekt. Kontroller kabelføring, sensoropsætning, strømforsyning og støjkilder.

OBS – Koblinger til flow/pumpe/dæk påvirker funktionen direkte

Når blokeringer for flow, pumpestatus eller dækposition er aktiveret, fungerer vandstandsreguleringen kun, hvis disse betingelser er opfyldt.

7.1.2 Vandniveau (hovedside)

Vandstandssensor (niveaumåling)

Bestemmer systemets sensortype. Dette afhænger af systemets konfiguration. Ved en normal svømmer vælger du svømmer, og hvis der er monteret en vandstandssensor 3, vælger du WLS 3.

- Vandstand
- WLS 3 (**vælg altid Modbus-port 1 ved WLS 3-konfiguration**)

Vandstandsregulering

Bestemmer, hvad reguleringen styrer, f.eks. filling (påfyldning) eller drain (tømning). (påfyldning og tømning kræver et hjælperelæ for at udføre dræningsfunktionen).

- Fyldning
- Tømning
- Påfyldning og tømning

BEMÆRK: I dræningstilstand aktiveres solenoidekontakten **IKKE** anvendt til dræningsfunktionen. Dette er **derimod** tilfældet ved dosering for kun pH+ (pH-kontakten aktiveres da, når pH-værdien er for lav).

Vandstandsmodus

Bestemmer reguleringsmetoden.

- Hysterese sikrer, at reguleringen først stopper, når den ønskede værdi er nået
- PID Auto regulerer opvarmningen med en pause (fast tid) og en indkoblingstid (reguleret). Jo længere den målte værdi er fra den ønskede værdi, jo længere bliver tændetiden.
- Time opretholder en fast pausetid og indkoblingstid, så længe den ønskede værdi ikke er nået.

WLS 3-konfiguration

Åbner sensor-specifikke indstillinger for WLS3, i øjeblikket kun portvalg. **(Vælg altid port 1)**

Indstillinger for vandstand

I dette skærmbillede definerer du, hvornår vandstandsreguleringen **ikke** må skifte. Dette er sikkerheds- og driftsspærringer.

Niveaublokeringer

- **Deaktiver for højt**
Blokerer regulering ved for højt niveau.
- **Deaktiver ved for højt niveau**
Blokerer regulering ved den høje "off"-grænse.
- **Deaktiver ved lavt niveau**
Blokerer regulering ved den lave "off"-grænse.
- **Deaktiver for lavt**
Blokerer regulering ved for lavt niveau.

Flow-relaterede blokeringer

- **Deaktiver med flowføler**
Aktiverer blokeringslogik baseret på flowføler.
- **Deaktiver ingen flow-sensor**
Blokerer regulering ved flowbetingelse i henhold til indstillet logik.

Dækrelaterede blokeringer

- **Deaktiver ved lukket dæk**
Blokerer regulering, når dækket er lukket.
- **Deaktiver ved åbent dæk**
Blokerer regulering, når dækket er åbent.

Pumpe-/trykrelaterede blokeringer

- **Deaktiver ved pumpestyring**
Blokerer regulering baseret på pumpestyring/status.

Praktisk:

Brug kun blokeringer, der er funktionelt nødvendige i dit hydrauliske setup. For mange aktive blokeringer på samme tid giver ofte en "hvorfor fylder den ikke?"-adfærd.

Vandstands-timing

- Åbner tidsindstillinger (indkoblingsforsinkelse, udkoblingsforsinkelse og PID-tidsvinduer, hvis relevant).
- **Aktiveringstid (kun i TIME-tilstand)**
Tid, hvor reguleringen må tænde pr. cyklus (f.eks. 300 s).
- **Deaktiveringstid (kun i TIME-tilstand)**
Ventetid/pause mellem to tænd-øjeblikke (f.eks. 0 m).
- **PID min time (kun i PID Auto-tilstand)**
Minimumsgrænse for PID-styret regulering (hvis PID-tilstand anvendes).
- **PID-maks. tid (kun i PID Auto-tilstand)**
Maksimal tidsgrænse for PID-styret regulering (hvis PID-tilstand anvendes).

Vigtigt:

Hvis vandstandsmodus er indstillet til **Hysteresis**, er PID-tiderne normalt ikke afgørende for reguleringen. Brug kun PID min/max, når den valgte reguleringsmodus faktisk udnytter disse værdier.

8. Fejlforebyggelse og jordforbindelsestest

- Udfør altid potentialudligningstest
- Mål lækstrømme via RCD (< 30 mA)
- Kontroller jordforbindelsens kontinuitet
- Placer ikke komponenter med forskellige jordforbindelsesstrukturer i det samme system

9. Tekniske specifikationer

- Sensor: piezoresistiv tryksensor
- Strømforsyning: 24 VDC
- Nøjagtighed: < 1 mm
- Kabellængder: 30 / 50 / 100 m
- Beskyttelse: IP68
- Temperaturområde: 0 – 50 °C

10. Garantibetingelser

Disse garantibetingelser berører ikke forbrugers lovæssige rettigheder i henhold til gældende national lovgivning om forbrugerkøb, baseret på direktiv (EU) 2019/771.

Forbrugeren har ret til et produkt, der er i overensstemmelse med aftalen ("overensstemmelse"). Hvis produktet ikke er i overensstemmelse, har forbrugeren ret til gratis reparation eller udskiftning, og – hvis dette ikke er muligt – til prisnedslag eller ophævelse af aftalen i overensstemmelse med de lovæssige bestemmelser.

Denne kommercielle garanti giver yderligere rettigheder og betingelser, som beskrevet nedenfor.

10.1 Garantiperiode (kommerciel garanti)

- Standardgaranti: 3 år fra leveringsdatoen
- Disse frister berører ikke den lovæssige overensstemmelsesfrist.

10.2 Betingelser for at gøre den kommercielle garanti gældende

Den kommercielle garanti gælder udelukkende, hvis:

43. Produktet er købt hos en autoriseret forhandler;
44. Der fremvises et gyldigt og læseligt købsbevis (med dato, model og sælger);
45. Produktet er installeret i overensstemmelse med instruktionerne, helst af en autoriseret installatør;
46. Produktet er blevet brugt korrekt i overensstemmelse med manualen og den tilsigtede anvendelse;
47. Det kan dokumenteres, at der er udført periodisk vedligeholdelse;
48. Serienummeret og typeskiltet er intakte og læselige;
49. Reparationer er udelukkende udført af NORSUP eller en autoriseret servicepartner.

10.3 Omfanget af den kommercielle garanti

Hvis en fejl er omfattet af denne garanti, vil NORSUP efter eget valg:

- reparere produktet eller delen gratis, eller
- udskifte produktet eller delen med et tilsvarende eksemplar.

Garantien omfatter ikke ret til refusion, erstatningsudstyr eller nogen form for erstatning, medmindre dette er lovpligtigt.

10.4 Undtagelser fra den kommercielle garanti

Den kommercielle garanti gælder ikke i følgende tilfælde:

Normal slitage og forbrugsdele

- Tætninger, O-ringe og pakninger
- Elektroder og dele med begrænset levetid
- Dele, der er udsat for normal slitage

Forkert brug eller vedligeholdelse

- Brug i strid med vejledningen
- Mangelfuld eller forsinket vedligeholdelse
- Forkert vandkvalitet (f.eks. pH, saltindhold, hårdhed uden for specifikationerne)
- Kalkaflejringer, korrosion eller forurening

Installation og eksterne faktorer

- Forkert installation eller tilslutning
- Skader forårsaget af frost, varme, fugt eller utilstrækkelig ventilation
- Elektriske påvirkninger (overspænding, lynnedslag, forkert tilslutning)
- Kemisk skade forårsaget af eksterne stoffer

Ændringer og ikke-originale dele

- Brug af ikke-originale dele
- Tilpasninger af produktet
- Reparationer udført af ikke-autoriserede tredjeparter

Andre undtagelser

- Kosmetiske skader, der ikke påvirker funktionen
- Transport- eller opbevaringsskader efter levering
- Softwareproblemer forårsaget af eksterne systemer eller forkert konfiguration (uden at dette berører rettighederne i henhold til direktiv (EU) 2019/770)

10.5 Omkostninger og supplerende bestemmelser

Medmindre andet følger af ufravigelige lovbestemmelser:

- Arbejdsomkostninger, udkørselsomkostninger, transportomkostninger og demonterings-/monteringsomkostninger er omfattet af garantien (hvis betingelserne er opfyldt);
- Garantien gælder udelukkende til privat brug; ved professionel brug kan der gælde en kortere periode;
- Garantien kan ikke overdrages uden skriftlig tilladelse.

10.6 Ansvarsbegrænsning

I det omfang loven tillader det, er NORSUPs ansvar begrænset til de forpligtelser, der er beskrevet i denne garanti. NORSUP er ikke ansvarlig for:

- indirekte skader eller følgeskader;
- tab af indtægter, fortjeneste eller brug;
- skader som følge af produktets nedbrud;
- skader på andre systemer eller ejendom.

Denne begrænsning gælder ikke i tilfælde af forsæt, grov uagtsomhed eller når ansvar ikke kan udelukkes ved lov.

10.7 Procedure ved garantikrav

For at indgive en reklamation skal forbrugeren:

25. kontakte sælgeren eller en autoriseret installatør;
26. fremlægge købsbeviset;
27. Give en klar beskrivelse af fejlen;
28. Efter anmodning stille produktet til rådighed til inspektion.

Afsluttende bestemmelse

Hvis en bestemmelse i denne garanti viser sig at være ugyldig eller ikke kan håndhæves, forbliver de øvrige bestemmelser fuldt ud gældende. Denne garanti er underlagt lovgivningen i det land, hvor produktet er købt, under overholdelse af gældende europæisk forbrugerlovgivning.

Sensor de nivel de agua 3 (WLS 3)

Manual



www.norsup.eu



NorsupGo es fabricado por:
Europe Pool Supplies BV – Randweg 10 – 4116 GH BUREN (GLD) – Países Bajos

1. Introducción

El sensor de nivel de agua 3 (WLS 3) es un sensor de nivel de alta precisión diseñado para el reabastecimiento automático de agua y la protección contra la salida de agua en combinación con el NorsupOneV3. El sensor está equipado con un elemento piezorresistivo que convierte la presión del agua en una señal medible sin piezas móviles.

2. Aplicación y funciones

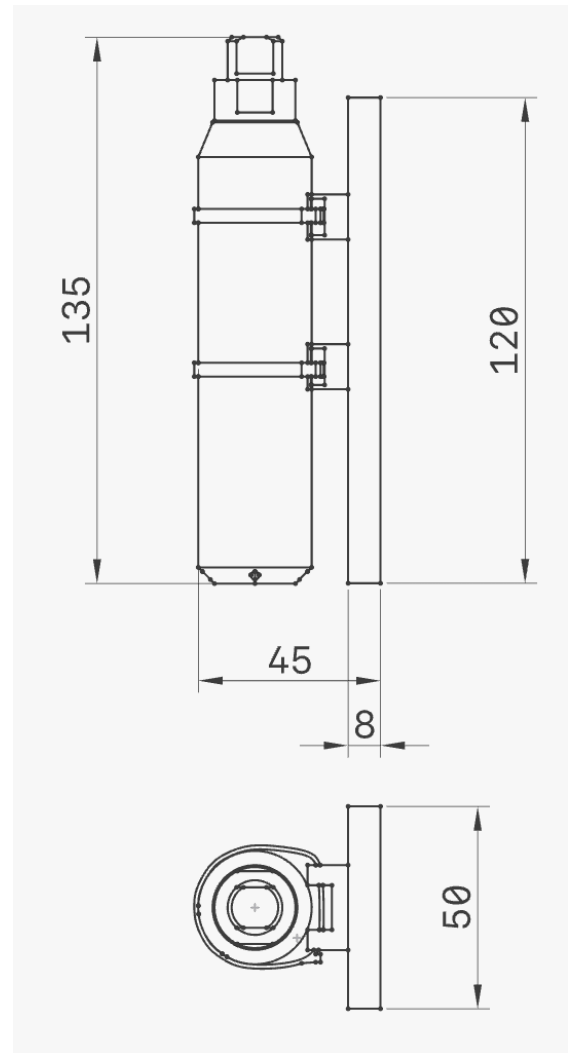
- Relleno automático del agua de la piscina
- Control de nivel para la seguridad de la cubierta
- Procesamiento de señales de alta resolución
- Integrable con NorsupOneV3
- Protección contra niveles de agua demasiado bajos o demasiado altos
- Retrolavado automático (en combinación con Autovalve)

Estado del nivel:

- Demasiado alto → cubierta bloqueada, reposición desactivada, + retrolavado automático (en combinación con Autovalve)
- Alto → cubierta activa, alimentación desactivada
- OK → nivel de referencia (línea cero)
- Bajo → recarga activa
- Demasiado bajo → cubierta bloqueada, reabastecimiento activo

3. Instrucciones de seguridad

- La instalación y el mantenimiento deben ser realizados únicamente por personal cualificado
- Desconecte siempre la alimentación eléctrica antes de la instalación o inspección
- Manipule el sensor con cuidado y evite dañar el cable
- Utilice piezas originales y siga este manual al pie de la letra
- No deje nunca el cable amarillo (blindaje) suelto o mal conectado
- No introduzca nunca ningún objeto a través de la tapa protectora del sensor. Esto dañará el sensor de forma irreparable.
- Nunca desatornille la tapa protectora sin la autorización de personal técnico cualificado
- Siga siempre las instrucciones del dispositivo con el que se integra el artículo.



4. Instalación

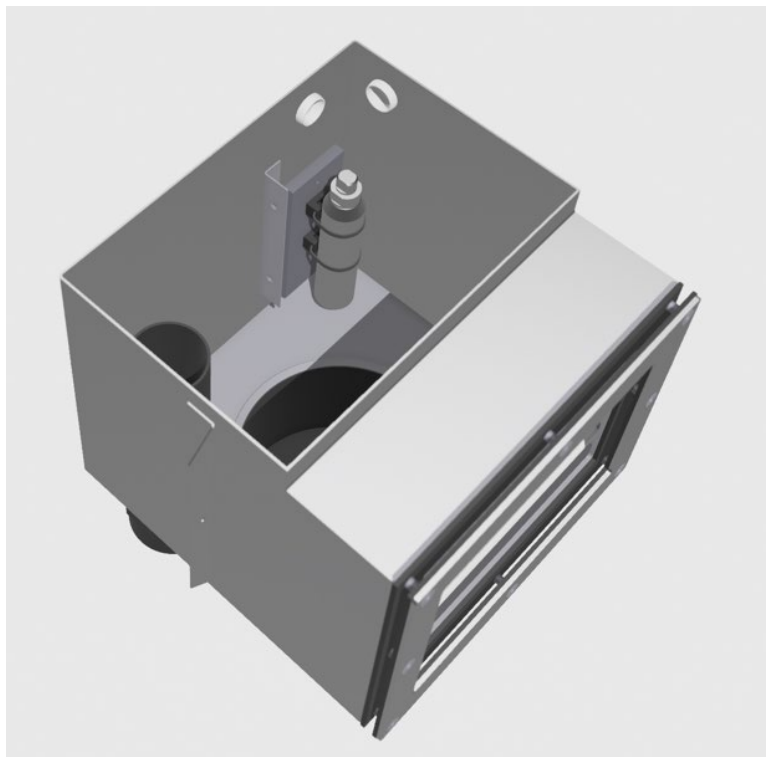
4.1 Purga

- Mantenga el sensor boca abajo bajo el agua para eliminar el aire
- Agítelo ligeramente para que salgan las burbujas de aire

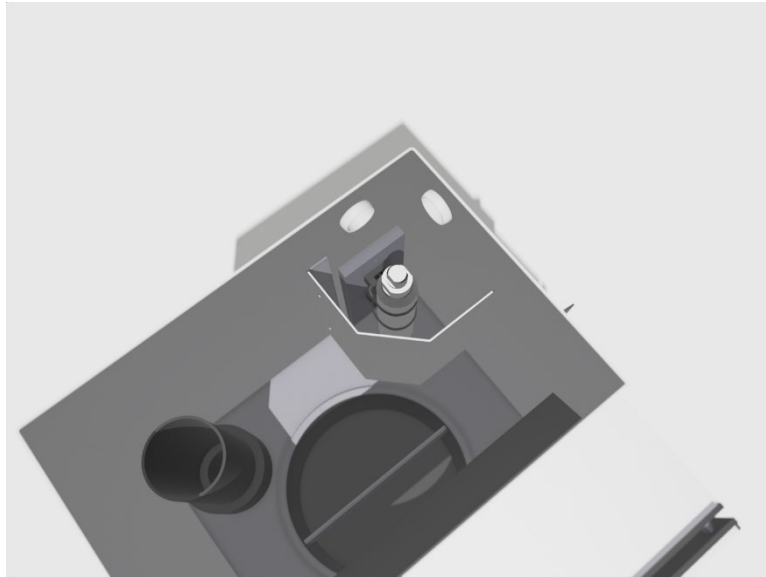


4.2 Montaje en acero inoxidable

El WLS 3 se puede colocar en el skimmer de acero inoxidable detrás de la placa protectora/amortiguadora mediante la placa de montaje de PVC



- Desmonte la placa amortiguadora para acceder al lugar de montaje. Monte allí la placa de PVC y atornille los soportes de bridas con los tornillos de acero inoxidable



La altura no importa. El sensor se puede calibrar a cualquier altura de agua deseada y la mantendrá como línea de referencia.

El sensor debe estar sumergido al menos 3 cm, medidos desde la parte inferior. (¿En nuestra formación de Joery se indica un total de 10 cm?)

4.3 Entrada del cable

- Pase el cable a través de un conducto de protección
- Evite curvas cerradas o dobleces
- El tubo de ventilación del cable no debe cerrarse ni pegarse

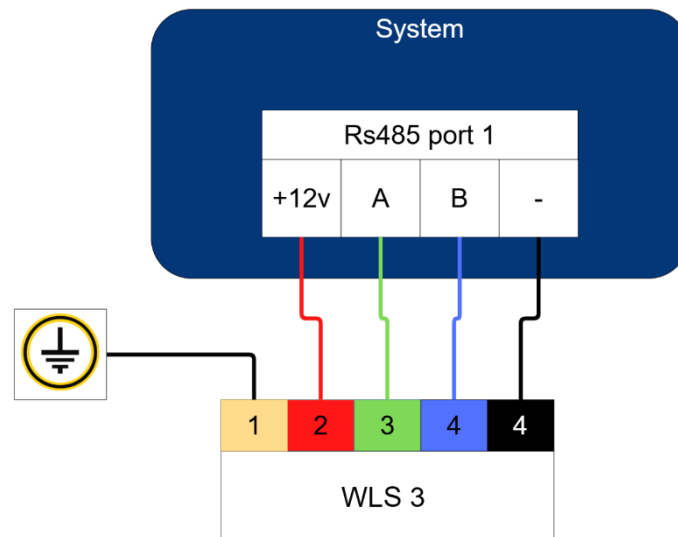
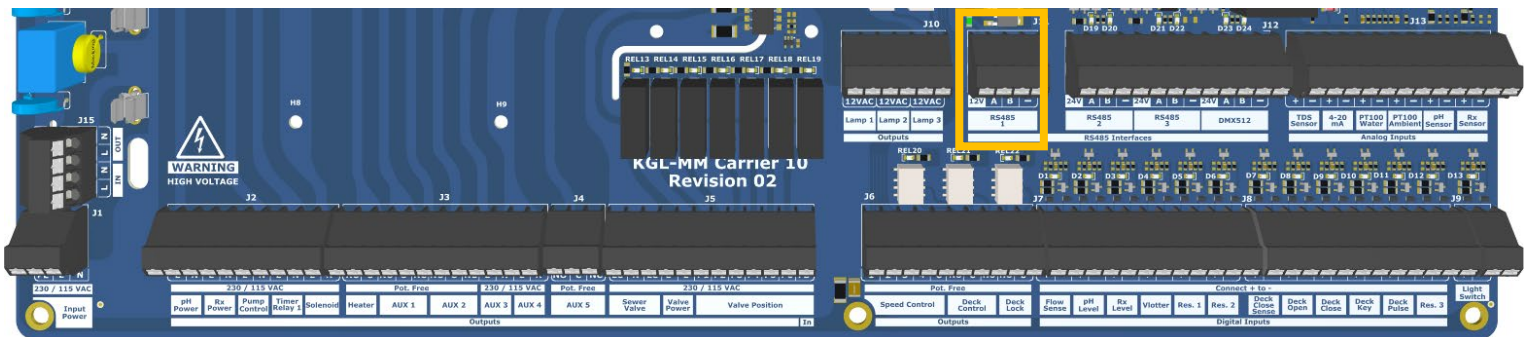
5. Conexión eléctrica

5.1 Codificación por colores

- Verde/Azul = Señal
- Negro = GND
- Rojo = 24 VCC
- Amarillo = Blindaje (véase el capítulo 6)

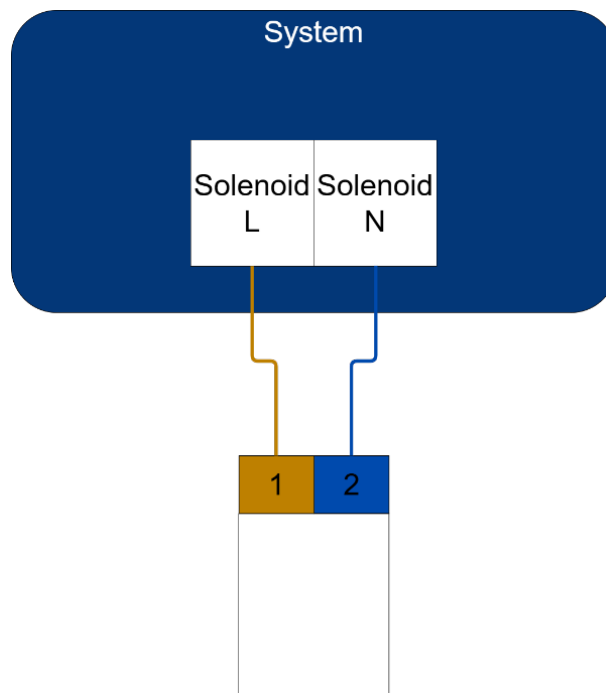
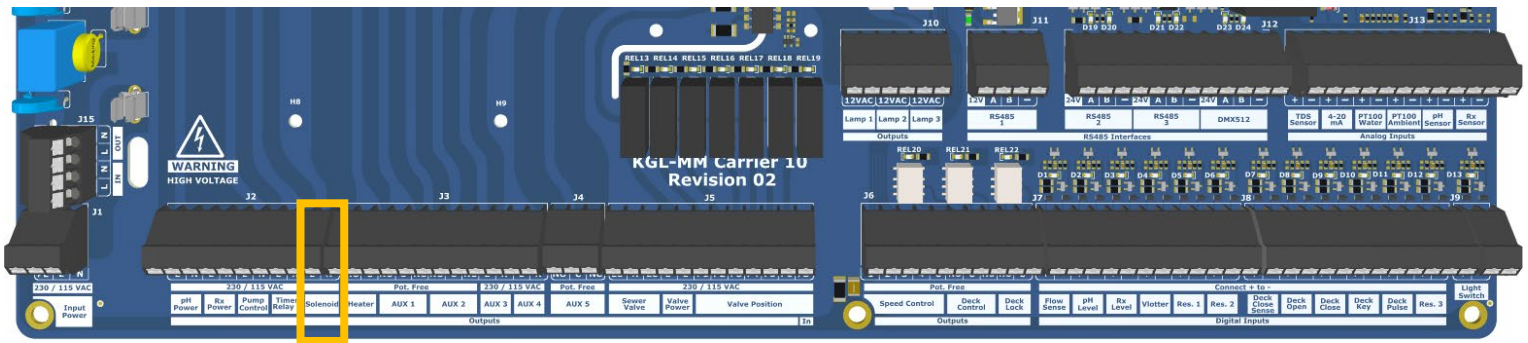
5.2 Conexión del WLS 3

- Desconectar la alimentación del NorsupOneV3
- Conecte siempre al puerto Rs485 1
- **¡ATENCIÓN!:**
 - **Conectar el WL-A a B**
 - **Conectar WL-B a A**



5.3 Conexión de la válvula de llenado/solenoid

La salida de la válvula de llenado/solenoid conmutará **230 VCA**.



6. Puesta a tierra y compensación de potencial

Lea el informe de investigación completo «Puesta a tierra eficaz de piscinas» y asegúrese de comprender plenamente este tema. En caso de duda, consulte a un electricista cualificado.

El WLS 3 debe estar correctamente conectado a tierra para evitar errores de medición, fallos de los sensores y corrosión galvánica. La siguiente estrategia se basa en la experiencia práctica y en normas internacionales (IEC/EN 61558 e IEC/EN 61000) y ahora también incluye una explicación de los requisitos de la norma NEN 1010.

6.1 Estrategia estándar: pica de tierra independiente

Utilice una pica de tierra clavada por separado como punto de tierra central.

Conecte a este:

- El cable de blindaje amarillo (shield) del WLS 3
- Componentes de acero inoxidable, como escaleras, skimmers y tuberías
- La carcasa/puesta a tierra del NorsupOneV3

Opcionalmente: máquinas de contracorriente o bombas de calor, siempre que lo permita el fabricante

Asegúrese de que la configuración sea en estrella y de que haya un buen puente de equalización de potencial. Compruebe con un multímetro que la diferencia de tensión entre las partes metálicas sea <10 mV y que la resistencia sea <0,5 ohmios.

6.2 Alternativa – Situación según la norma NEN 1010

Si el uso de una pica de tierra independiente no está permitido según la norma NEN 1010 (por ejemplo, debido a requisitos del seguro):

- Conecte entonces todas las partes metálicas, el WLS 3 y el sistema de regulación a la toma de tierra de la vivienda
- Evite siempre un sistema mixto (es decir, no utilice en parte una pica de tierra y en parte la toma de tierra de la vivienda)
- Si, a pesar de todo, se ha instalado una pica de tierra independiente, conéctela eléctricamente al carril de tierra principal de la vivienda (de conformidad con la norma NEN 1010, art. 542.1.2)
- Atención: las ventajas del aislamiento galvánico se pierden en parte, pero el sistema cumple entonces con la normativa.

6.3 Valores de control

- Resistencia entre el sensor y el punto de tierra: < 1 ohm
- Resistencia entre los componentes metálicos y el puente de potencial: < 0,5 ohmios
- Diferencia de tensión entre componentes metálicos: < 10 mV
- Pica de tierra: resistencia de dispersión < 30 ohmios (preferiblemente < 10 ohmios)

6.4 Responsabilidad

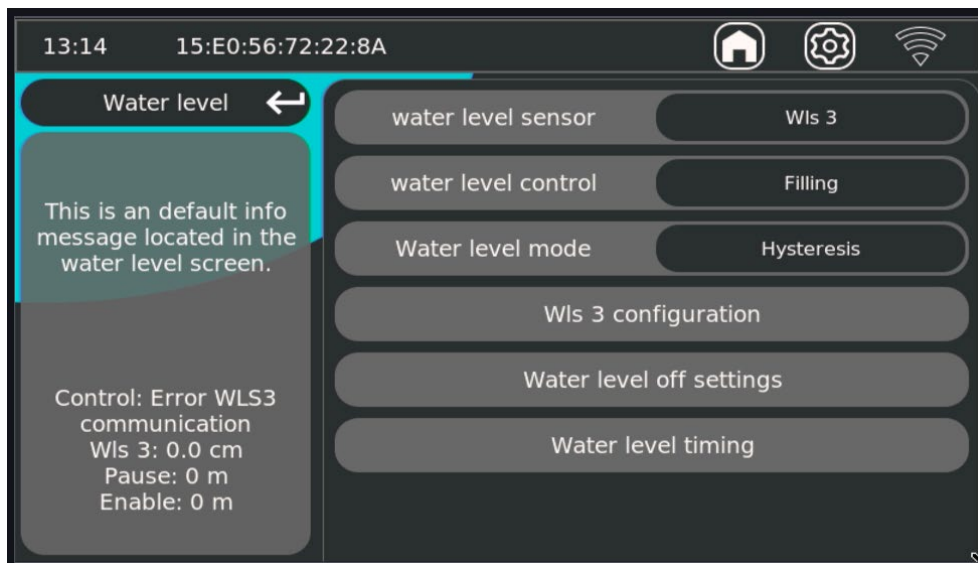
- La puesta a tierra y la conexión equipotencial son responsabilidad del instalador.
- En caso de duda: póngase en contacto con un electricista certificado.
- Norsup elabora este manual a modo de guía, pero no se hace responsable de los daños causados por una instalación incorrecta.

Consejo: Realice siempre una prueba de continuidad y una prueba de corriente de fuga (mediante RCD) tras la instalación.

7. Configuración del sistema

7.1 Calibración

En el menú **Nivel de agua** se gestiona el control completo del rellenado/cierre automático en función de la medición del nivel. Este menú determina **qué sensor se utiliza, qué método de regulación está activo, cuándo se bloquea la regulación y con qué intervalo de tiempo se activa la regulación.**



7.1.1 Seguridad y responsabilidad (Nivel de agua)

ATENCIÓN: el nivel de agua es un control funcional, no una protección primaria contra desbordamiento

El control de nivel de agua ayuda a gestionar el nivel automáticamente, pero no sustituye a las protecciones estructurales o hidráulicas obligatorias (como desbordamiento, protección de desagüe, dispositivo antirretorno).

ATENCIÓN: unos ajustes de bloqueo incorrectos pueden provocar un llenado indeseado o, por el contrario, impedir el llenado

Las opciones en **Ajustes de nivel de agua desactivado** pueden desactivar deliberadamente el control. Las combinaciones incorrectas pueden provocar:

- que el llenado se detenga demasiado pronto;
- que no se llene en absoluto;
- un llenado en momentos inadecuados.

ATENCIÓN: la fiabilidad del sensor es un requisito previo

En caso de errores de comunicación o medición (como se muestra en el estado: *Error de comunicación WLS3*), el control no puede funcionar correctamente. Compruebe el cableado, la configuración del sensor, la alimentación y las fuentes de interferencia.

ATENCIÓN – Las conexiones con el caudal/la bomba/la cubierta influyen directamente en el comportamiento

Cuando se activan bloqueos en el caudal, el estado de la bomba o la posición de la cubierta, el control del nivel de agua solo funcionará si se cumplen esas condiciones.

7.1.2 Nivel de agua (página principal)

Sensor de nivel de agua (medición de nivel)

Determina el tipo de sensor del sistema. Esto depende de la configuración del sistema. Si se trata de un flotador normal, seleccione «flotador»; si se ha instalado un sensor de nivel de agua 3, seleccione «WLS 3».

- Flotador
- WLS 3 (**seleccione siempre el puerto Modbus 1 en la configuración de WLS 3**)

Control del nivel de agua

Determina qué acciona el control, por ejemplo, llenado o vaciado. (el llenado y el vaciado necesitan un relé auxiliar para activar la función de drenaje).

- Llenado
- Drenaje
- Llenado y vaciado

NOTA: En el modo de drenaje, el contacto del solenoide **NO** utiliza para la función de drenaje. **SÍ** ocurre así en la dosificación solo para pH+ (el contacto de pH- se activará entonces cuando el pH sea demasiado bajo).

Modo de nivel de agua

Determina el método de regulación.

- La histéresis garantiza que la regulación no se detenga hasta que se alcance el valor deseado
- PID Auto regula la calefacción con un tiempo de pausa (tiempo fijo) y un tiempo de activación (regulado). Cuanto más se aleje el valor medido del valor deseado, mayor será el tiempo de encendido.
- Time mantiene un tiempo de pausa y un tiempo de activación fijos mientras no se alcance el valor deseado.

Configuración del WLS 3

Abre los ajustes específicos del sensor para WLS3; actualmente, solo la selección de puerto. **(Seleccione siempre el puerto 1)**

Ajustes de desconexión por nivel de agua

En esta pantalla se define cuándo **no** debe activarse el control de nivel de agua. Se trata de bloqueos de seguridad y de funcionamiento.

Bloqueos de nivel

- **Desactivar nivel demasiado alto**
Bloquea el control si el nivel es demasiado alto.
- **Desactivar en alto**
Bloquea el control en el límite alto de «off».
- **Desactivar bajo**
Bloquea el control en el límite «off» bajo.
- **Desactivar nivel demasiado bajo**
Bloquea el control cuando el nivel es demasiado bajo.

Bloqueos relacionados con el caudal

- **Desactivar con sensor de caudal**
Activa la lógica de bloqueo basada en el sensor de caudal.
- **Desactivar sin sensor de caudal**
Bloquea el control cuando se cumple la condición de caudal según la lógica configurada.

Bloqueos relacionados con la cubierta

- **Desactivar con cubierta cerrada**
Bloquea el control cuando la cubierta está cerrada.
- **Desactivar cuando la cubierta está abierta**
Bloquea el control cuando la cubierta está abierta.

Bloqueos relacionados con la bomba/presión

- **Desactivar en control de bomba**
Bloquea el control en función del estado o control de la bomba.

Consejo práctico:

Utiliza solo los bloqueos que sean funcionalmente necesarios en tu configuración hidráulica. Demasiados bloqueos activos a la vez suelen provocar un comportamiento del tipo «¿por qué no se llena?».

Temporización del nivel de agua

- Abre los ajustes de temporización (retardo de activación, retardo de desactivación y ventanas de tiempo PID, si procede).
- **Tiempo de activación (solo en modo TIME)**
Tiempo durante el cual el control puede activarse por ciclo (p. ej., 300 s).
- **Tiempo de desactivación (solo en modo TIME)**
Tiempo de espera/pausa entre dos momentos de activación (p. ej., 0 s).
- **Tiempo mínimo PID (solo en modo PID Auto)**
Límite de tiempo mínimo para el control PID (si se utiliza el modo PID).
- **Tiempo máximo PID (solo en modo PID Auto)**
Límite de tiempo máximo para el control PID (si se utiliza el modo PID).

Importante:

Si el modo de nivel de agua está en **Histeresis**, los tiempos PID no suelen ser determinantes para el control. Utilice PID mín./máx. solo cuando el modo de control seleccionado utilice realmente esos valores.

8. Prevención de fallos y pruebas de puesta a tierra

- Realice siempre pruebas de compensación de potencial
- Mida las corrientes de fuga mediante un RCD (< 30 mA)
- Compruebe la continuidad de la puesta a tierra
- No coloque componentes con diferentes estructuras de puesta a tierra en el mismo sistema

9. Especificaciones técnicas

- Sensor: sensor de presión piezorresistivo
- Alimentación: 24 VCC
- Precisión: < 1 mm
- Longitudes de cable: 30 / 50 / 100 m
- Protección: IP68
- Rango de temperatura: 0 – 50 °C

10. Condiciones de garantía

Las presentes condiciones de garantía no menoscaban los derechos legales del consumidor en virtud de la legislación nacional aplicable en materia de venta al consumidor, basada en la Directiva (UE) 2019/771.

El consumidor tiene derecho a un producto que se ajuste al contrato («conformidad»). Si el producto no es conforme, el consumidor tiene derecho a su reparación o sustitución sin coste alguno y, si ello no fuera posible, a una reducción del precio o a la resolución del contrato, de conformidad con las disposiciones legales.

Esta garantía comercial ofrece derechos y condiciones adicionales, tal y como se describe a continuación.

10.1 Plazo de garantía (garantía comercial)

- Garantía estándar: 3 años a partir de la fecha de entrega
- Estos plazos no afectan al plazo de conformidad legal.

10.2 Condiciones para hacer valer la garantía comercial

La garantía comercial solo es aplicable si:

50. El producto se haya adquirido a través de un distribuidor autorizado;
51. Se presente un comprobante de compra válido y legible (con fecha, modelo y vendedor);
52. El producto se haya instalado de acuerdo con las instrucciones, preferiblemente por un instalador autorizado;
53. El producto se ha utilizado correctamente, de acuerdo con el manual y el uso previsto;
54. Se pueda demostrar que se ha realizado el mantenimiento periódico;
55. El número de serie y la placa de características estén intactos y sean legibles;
56. Las reparaciones han sido realizadas exclusivamente por NORSUP o un socio de servicio autorizado.

10.3 Alcance de la garantía comercial

Si un defecto está cubierto por esta garantía, NORSUP, a su elección:

- reparar el producto o la pieza sin coste alguno, o
- sustituir el producto o la pieza por uno equivalente.

La garantía no incluye el derecho a reembolso, equipo de sustitución ni ningún tipo de indemnización, salvo en los casos en que sea obligatorio por ley.

10.4 Exclusiones de la garantía comercial

La garantía comercial no se aplica en los siguientes casos:

Desgaste normal y piezas de desgaste

- Juntas, juntas tóricas y empaquetaduras
- Electrodo y piezas con vida útil limitada
- Piezas sujetas a desgaste normal

Uso o mantenimiento incorrectos

- Uso contrario a las instrucciones del manual
- Mantenimiento deficiente o atrasado
- Calidad del agua inadecuada (p. ej., pH, salinidad, dureza fuera de las especificaciones)
- Depósitos de cal, corrosión o suciedad

Instalación y factores externos

- Instalación o conexión incorrecta
- Daños causados por heladas, calor, humedad o ventilación insuficiente
- Influencias eléctricas (sobretensión, rayos, conexión incorrecta)
- Daños químicos causados por sustancias externas

Modificaciones y piezas no originales

- Uso de piezas no originales
- Modificaciones del producto
- Reparaciones realizadas por terceros no autorizados

Otras exclusiones

- Daños estéticos que no afectan al funcionamiento
- Daños de transporte o almacenamiento tras la entrega
- Problemas de software causados por sistemas externos o una configuración incorrecta (sin perjuicio de los derechos previstos en la Directiva (UE) 2019/770)

10.5 Costes y disposiciones adicionales

Salvo que la ley imperativa disponga lo contrario:

- Los costes de mano de obra, desplazamiento, transporte y desmontaje/montaje están cubiertos por la garantía (siempre que se cumplan las condiciones);
- La garantía se aplica exclusivamente al uso particular; en caso de uso profesional, puede aplicarse un plazo más corto;
- La garantía no es transferible sin autorización por escrito.

10.6 Limitación de responsabilidad

En la medida en que lo permita la ley, la responsabilidad de NORSUP se limita a las obligaciones descritas en esta garantía. NORSUP no se hace responsable de:

- daños indirectos o consecuentes;
- la pérdida de ingresos, beneficios o uso;
- daños derivados de la inactividad del producto;
- daños a otros sistemas o bienes.

Esta limitación no se aplica en caso de dolo, negligencia grave o cuando la responsabilidad no pueda excluirse legalmente.

10.7 Procedimiento en caso de reclamaciones de garantía

Para presentar una reclamación, el consumidor debe:

29. ponerse en contacto con el vendedor o el instalador autorizado;
30. Presentar el comprobante de compra;
31. Proporcionar una descripción clara del defecto;
32. Poner el producto a disposición para su inspección, si así se le solicita.

Disposición final

Si alguna de las disposiciones de esta garantía resultara inválida o inaplicable, las demás disposiciones seguirán siendo plenamente vigentes. Esta garantía se rige por la legislación del país de compra, sin perjuicio de la legislación europea en materia de consumo de carácter imperativo.